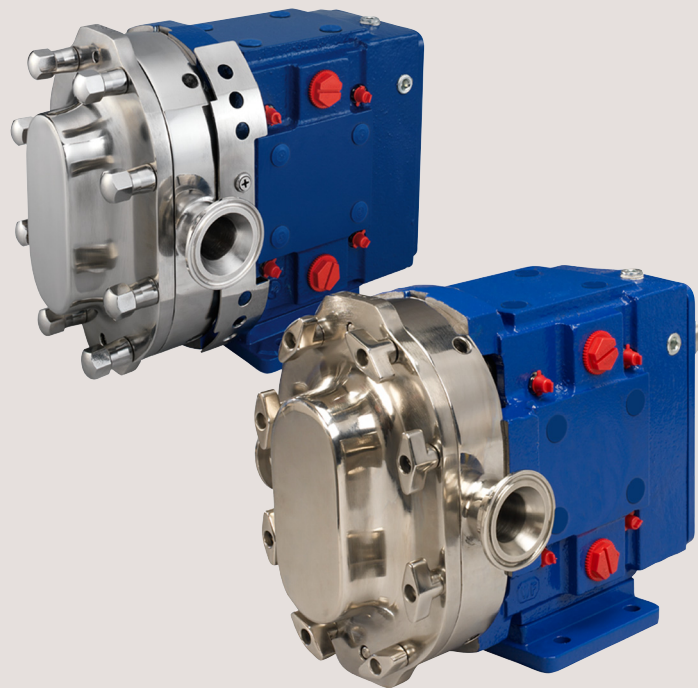




Spare Parts

SCPP1 Circumferential Piston Pump



ESE01742-EN7 2020-10

Original manual

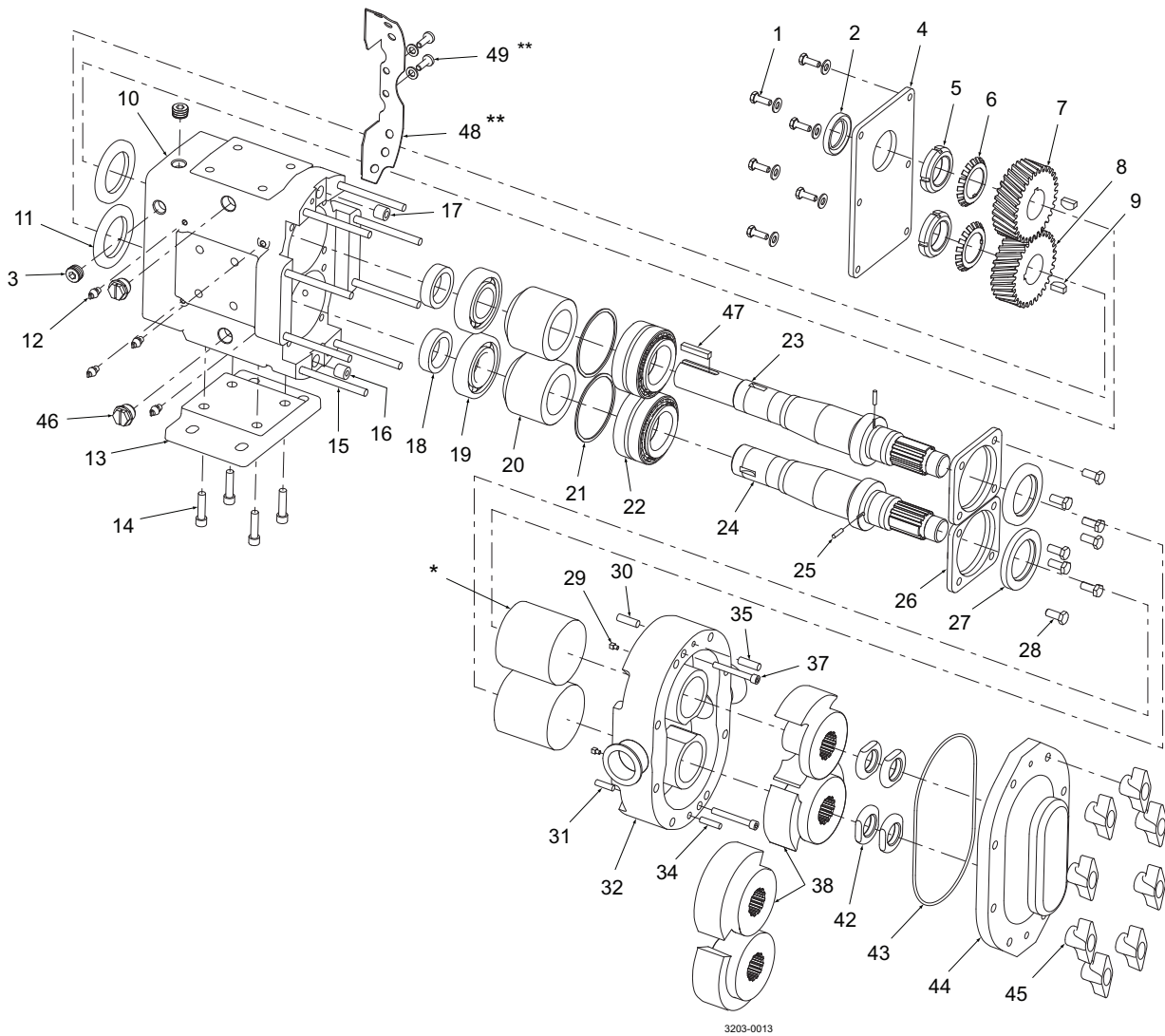
Table of contents

The information herein is correct at the time of issue but may be subject to change without prior notice

1. SCPP1/006/015/018	4
2. SCPP1/030	8
3. SCPP1/045/060/130	12
4. SCPP1/220	16
5. SCPP1/320	20
6. SCPP1/006/015/018 - Sealing	22
7. SCPP1/030 - Sealing	26
8. SCPP1/045/060/130 - Sealing	30
9. SCPP1/220 - Sealing	34
10. SCPP1/320 - Sealing	38

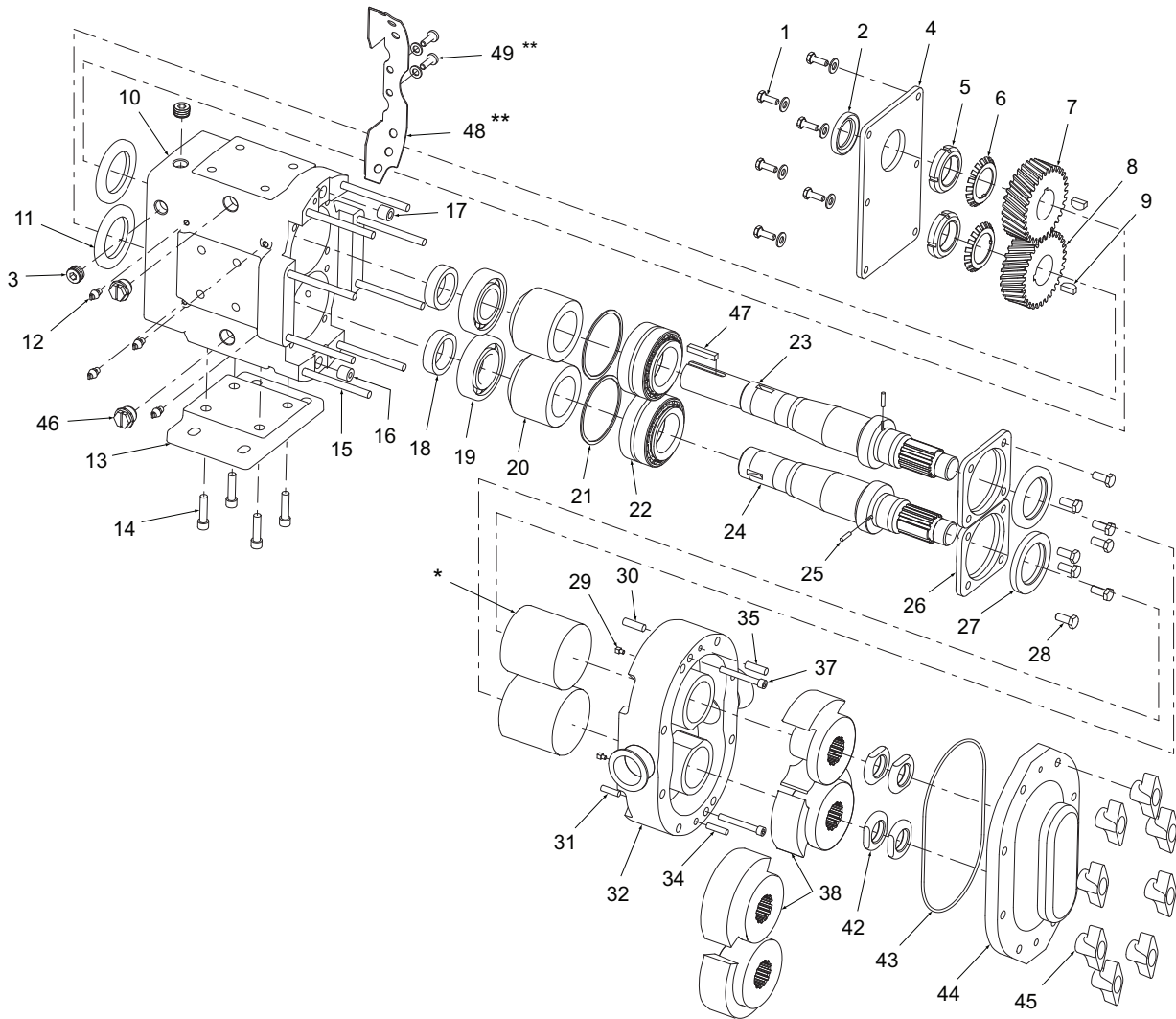
* See seal repair parts

** Required for European CE compliance only
(not mandatory for USA market)



Pos	Qty	Denomination	Reference Part	
			No.	Item Number
1	6	Capscrew, Gear Case Cover, SS		
1a	6	Washer GC Cover Capscrew, SS		9639001102
2	1	Oil Seal - Gear Case Cover	000030016	9639002101
3	4	Oil Level, Drain Plug, SS		
4	1	Gear Case Cover, Steel (includes installed seal)		
5	2	Lock Nut - Gear	STD236005	9639005101
6	2	Lock Washer - Gear	STD136005	9639006101
7	1	Gear Drive Shaft	015007001	9639007101
8	1	Gear Short Shaft	015007002	9639008101
9	2	Key, Gear	015037000	9639009101
10	1	Gear Case, CI		
	1	Gear Case, SS	101831	9639010102
	1	Gear Case, CI (previous version)	020005000	9639110103
11	2	Oil Seal Rear	000030017	9639011101
12	8	Grease Fitting 1/8	BD0092000	9639012101
	8	Grease Fitting 1/8, SS		9639012102
13	1	Mounting Shim (Gear Case Base), CI	020110000	9639013101
	1	Mounting Shim (Gear Case Base), SS		
14	4	Socket Head Capscrew, Mounting Shim, SS		9639014101
15	8	Stud, 006-015	AD0011000	9639015101
	8	Stud Jacketed Cover, 006-015	AD0011J00	9639015103
	8	Stud, 018		9639015102
	8	Stud Jacketed Cover, 018		
16	1	Dowel Bushing, Lower	AD0116100	9639016101
17	1	Dowel Bushing, Upper	AD0116000	9639017101
18	2	Spacer Gear to Rear Bearing		
19	2	Rear Bearing	015035000	9639019101
20	2	Spacer Bearing		
	2	Spacer Bearing (previous version)		
21	2	Shim Kit N/S	117889	9639021101
	2	Shim Kit (previous version)		
22	2	Front Bearing	101714	9639022101
	2	Front Bearing (previous version)	015036000	9639122102
23	1	Drive Shaft (316L SS), 006-015	114642	9639123101
	1	Drive Shaft (316L SS), 006-015 (previous version)	015008000	9639123103
	1	Drive Shaft (316L SS), 018	114644	9639123102
	1	Drive Shaft (316L SS), 018 (previous version)		
24	1	Auxillary Shaft (316L SS), 006-015	114643	9639124101
	1	Auxillary Shaft (316L SS), 006-015 (previous version)	015009000	9639124103
	1	Auxillary Shaft (316L SS), 018		
	1	Auxillary Shaft (316L SS), 018 (previous version)		
25	2	Drive Pin	CD0126000	9639125101
26	2	Bearing Retainer Front		
	2	Bearing Retainer Front (previous version 1)	015080000	9639026102
	2	Bearing Retainer Front (previous version 2)		
27	2	Grease Seal Front Brg Ret	121679	9639027101
	2	Grease Seal Front Brg Ret (previous version 1)	000030018	9639027102
	2	Grease Seal Front Brg Ret (previous version 2)	101716	9639027103
28	8	Button Head Cap Screw, Bearing Retainer, SS		
29	2	Stop Pin Seal	015126000	9639129101
30	1	Dowel Pin, Upper Gear Case Side	AD0040R00	9639030101
31	1	Dowel Pin, Lower Gear Case Side	AD0040R10	9639031101
32	1	Rotorcase, 006 - 1" Triclamp		
	1	Rotorcase, 006 - 1.1/2" Triclamp		9639132102
	1	Rotorcase, 015 - 1.1/2" Triclamp		
	1	Rotorcase, 015 - 2" Triclamp		9639132104
	1	Rotorcase, 018 - 1.1/2" Triclamp		
	1	Rotorcase, 018 - 2" Triclamp		9639132106
	1	Rotorcase for Flush, 006 - 1" Triclamp		
	1	Rotorcase for Flush, 006 - 1.1/2" Triclamp		9639132112
	1	Rotorcase for Flush, 015 - 1.1/2" Triclamp		
	1	Rotorcase for Flush, 015 - 2" Triclamp		9639132114
	1	Rotorcase for Flush, 018 - 1.1/2" Triclamp		
	1	Rotorcase for Flush, 018 - 2" Triclamp		9639132116
34	1	Dowel (lower cover)	AD0040100	9639034101
35	1	Dowel (upper cover)	AD0040000	9639035101
37	2	Rotorcase Retaining Screw, 006-015	30523	9639037101
	2	Rotorcase Retaining Screw, 018		9639037201
38	2	Rotor Twin Blade, Non-Galling Alloy, 006		
	2	Rotor Twin Blade, Non-Galling Alloy, 015	015010000	9639138102
	2	Rotor Twin Blade, Non-Galling Alloy, 018	018010000	9639138103

- * See seal repair parts
- ** Required for European CE compliance only
(not mandatory for USA market)



3203-0013

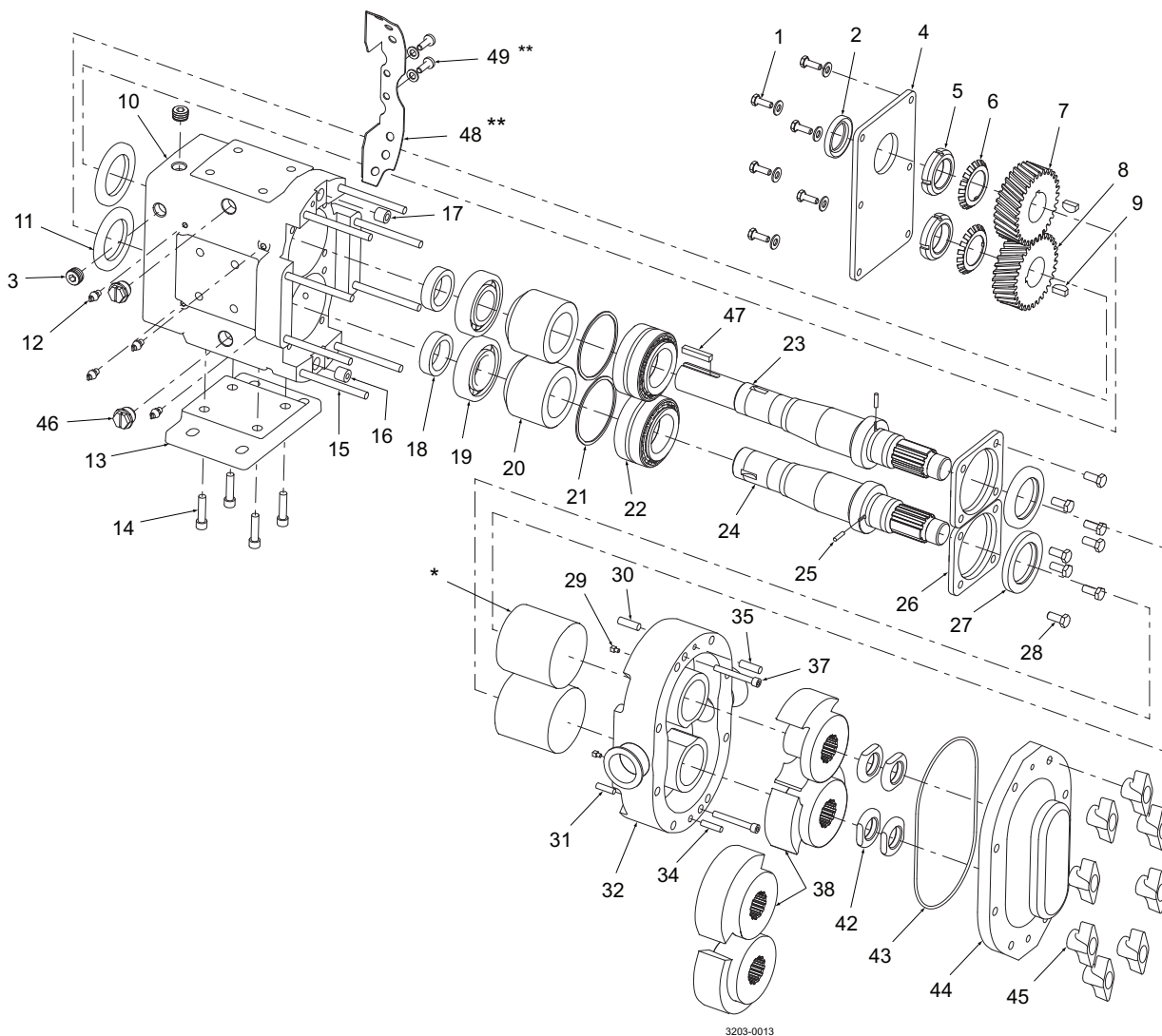
Pos	Qty	Denomination	Reference Part		
			No.	Item Number	
42	4	Jam Nut	AD0052001	9639142101	
43	1	Cover O-Ring - NBR	N70252	9639143101	
	1	Cover O-Ring - EPDM	E70252	9639143102	
	1	Cover O-Ring - FPM	V70252	9639143103	
	1	Cover O-Ring - Silicone	S75252	9639143104	
44	1	Pump Cover	AD0002S00	9639144101	
	1	Pump Cover - Jacketed		9639144102	
45	8	Wing Nut - For pumps used within USA	105850	9639045101	
	8	Hex Nut	108369	9639045102	
46	4	Large Cleanout Plug		9639046101	
47	1	Drive Shaft Key	000037001	9639047101	
48	2	Seal Guards, SS			
49	4	Fastener, Seal Guard		9639049101	
49a	4	Washer, Seal Guard		9639049102	
	4	O Ring Removal Tool	AD0096001	9639090101	
	4	Rotor Nut Wrench	109895	9639090201	
	4	Oil, Magna-Plate 460-FG, 1-gal			
	4	Grease micro plate #2 (1 lb tube)	000140002	9639090401	
	4	Sealant RTV	000142301	9639090501	
	8	Grease Fitting Cap, Red Plastic		9639090601	
	12	Plastic Cap Tapped Holes, Mounting Pad			
	2	Eye Bolt	30360	9639090801	
			EPDM	NBR	FPM

Service kit for SCPP1/006/015/018

•	Service kit, Single O-Ring Seal/Stainless Steel Sleeve	9639103012	9639103001	9639103023
•	Service kit, Single O-Ring Seal/Zircona Sleeve	9639103013	9639103002	9639103024
▲	Service kit, Double O-Ring Seal/Stainless Steel Sleeve	9639103014	9639103003	9639103025
▲	Service kits, Double O-Ring Seal/Zircona Sleeve	9639103015	9639103004	9639103026
▲	Service kit, Double O-Ring Seal/Stainless Steel Sleeve	9639103016	9639103005	9639103027
▲	Service kit, Double O-Ring Seal/Zircona Sleeve	9639103017	9639103006	9639103028
◇	Service kit, Single Mechanical Seal/SC, C	9639103018	9639103007	9639103029
◇	Service kit, Single Mechanical Seal/SC, SC	9639103019	9639103008	9639103030
◇	Service kit, Single Mechanical Seal/CER, C	9639103020	9639103009	9639103031
□	Service kit, Double Mechanical Seal/SC, SC/C	9639103021	9639103010	9639103032
□	Service kit, Double Mechanical Seal/SC, SC/C	9639103022	9639103011	9639103033

- * See seal repair parts
- ** Required for European CE compliance only

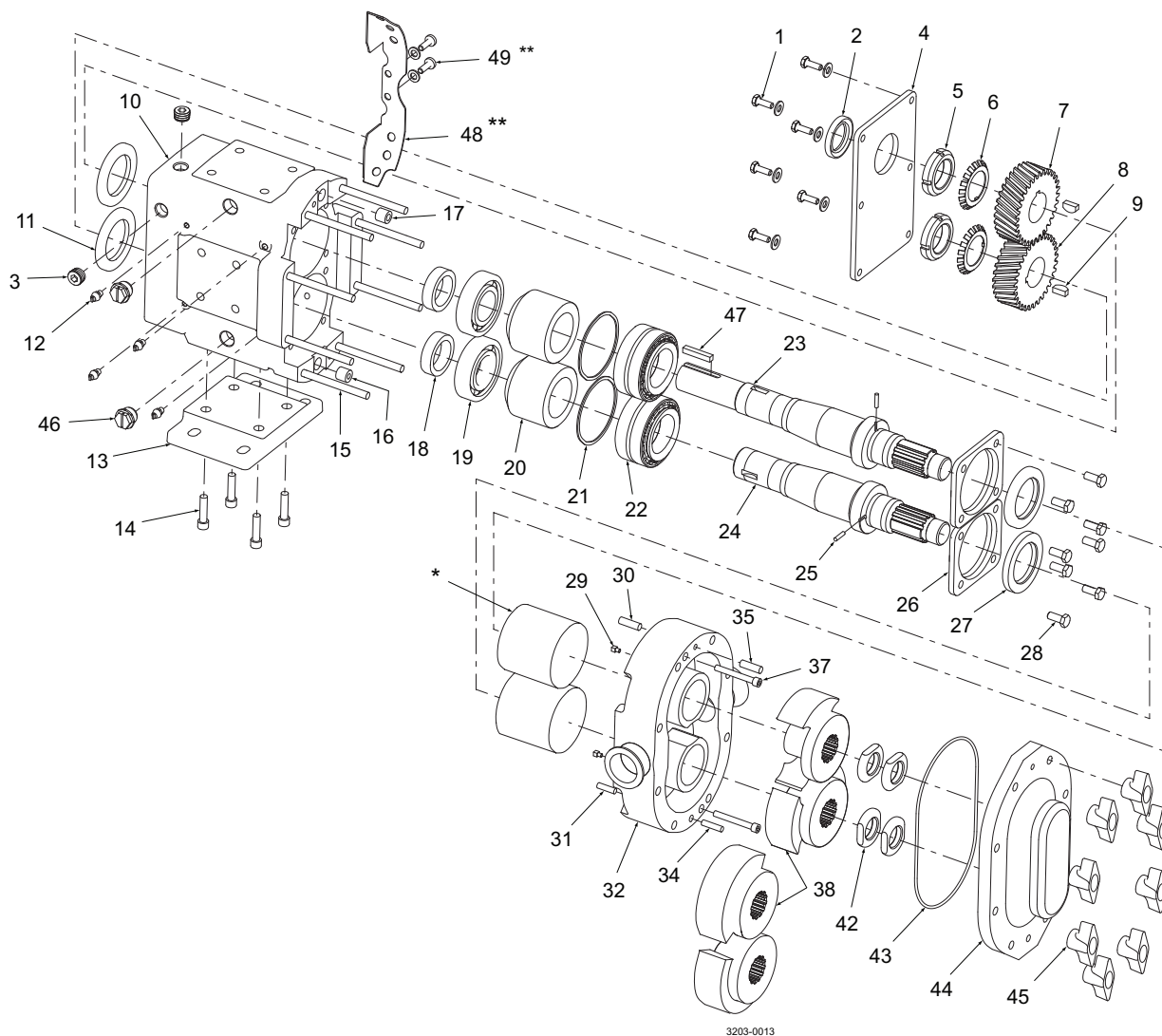
(not mandatory for USA market)



3203-0013

Pos	Qty	Denomination	Reference Part	
			No.	Item Number
1	6	Capscrew, Gear Case Cover, SS		
1a	6	Washer GC Cover Capscrew, SS		9639001102
2	1	Oil Seal - Gear Case Cover	000030013	9639002201
3	4	Oil Level, Drain Plug, SS		9639003201
4	1	Gear Case Cover, Steel (includes installed seal)		
	1	Gear Case Cover, SS (includes installed seal)		
5	2	Lock Nut - Gear	CD0036N00	9639005201
6	2	Lock Washer - Gear	CD0036W00	9639006201
7	1	Gear Drive Shaft		
8	1	Gear Short Shaft	030007002	9639008201
9	2	Key, Gear	BD0037000	9639009201
10	1	Gear Case, CI		
	1	Gear Case, SS	101833	9639010202
	1	Gear Case, CI (previous version)	040005000	9639110203
11	2	Oil Seal Rear	000030014	9639011201
12	8	Grease Fitting 1/8	BD0092000	9639012101
	8	Grease Fitting 1/8, SS		9639012102
13	1	Mounting Shim (Gear Case Base), CI	040110000	9639013201
	1	Mounting Shim (Gear Case Base), SS		
14	4	Capscrew, Gear Case Base, SS		
15	8	Stud, 030	108842	9639015201
	8	Stud Jacketed cover, 030	108845	9639015203
16	1	Dowel Busing Lower		
17	1	Dowel Bushing, Upper		
18	2	Spacer Gear to Rear Bearing	030055000	9639018201
19	2	Rear Bearing	030035000	9639019201
20	2	Spacer Bearing	101815	9639020201
	2	Spacer Bearing (previous version)	030055001	9639120202
21	2	Shim Kit		9639021201
22	2	Front Bearing	101715	9639022201
	2	Front Bearing (previous version)	030036000	9639122202
23	1	Drive Shaft (17-4PH)	114646	9639123201
	1	Drive Shaft (17-4PH) (previous version)	030008000	9639123202
24	1	Auxillary Shaft (17-4PH)	114647	9639124201
	1	Auxillary Shaft (17-4PH) (previous version)	030009000	9639124202
25	2	Drive Pin	CD0126000	9639125101
26	2	Bearing Retainer Front	120333	9639026201
	2	Bearing Retainer Front (previous version 1)		
	2	Bearing Retainer Front (previous version 2)	101811	9639026203
27	2	Grease Seal Front Brg Ret	121680	9639027201
	2	Grease Seal Front Brg Ret (previous version 1)	000030015	9639027202
	2	Grease Seal Front Brg Ret (previous version 2)		
28	8	Button Head Cap Screw, Bearing Retainer, SS	3029	9639028201
29	2	Stop Pin Seal		
30	1	Dowel Pin, Upper Gear Case Side	BD0040200	9639030201
31	1	Dowel Pin, Lower Gear Case Side	BD0040300	9639031201
32	1	Rotorcase, 030 - 1.1/2" Triclamp		9639132201
	1	Rotorcase, 030 - 2" Triclamp		9639132202
	1	Rotorcase for Flush, 030 - 1.1/2" Triclamp		9639132211
	1	Rotorcase for Flush, 030 - 2" Triclamp		
34	1	Dowel Pin, Lower Cover Side	BD0040100	9639034201
35	1	Dowel Pin, Upper Cover Side	BD0040000	9639035201
37	2	Rotorcase Retaining Screw, 030		9639037201
38	2	Rotor Twin Blade, Non-Galling Alloy, 030	030010000	9639138201

- * See seal repair parts
- ** Required for European CE compliance only
(not mandatory for USA market)



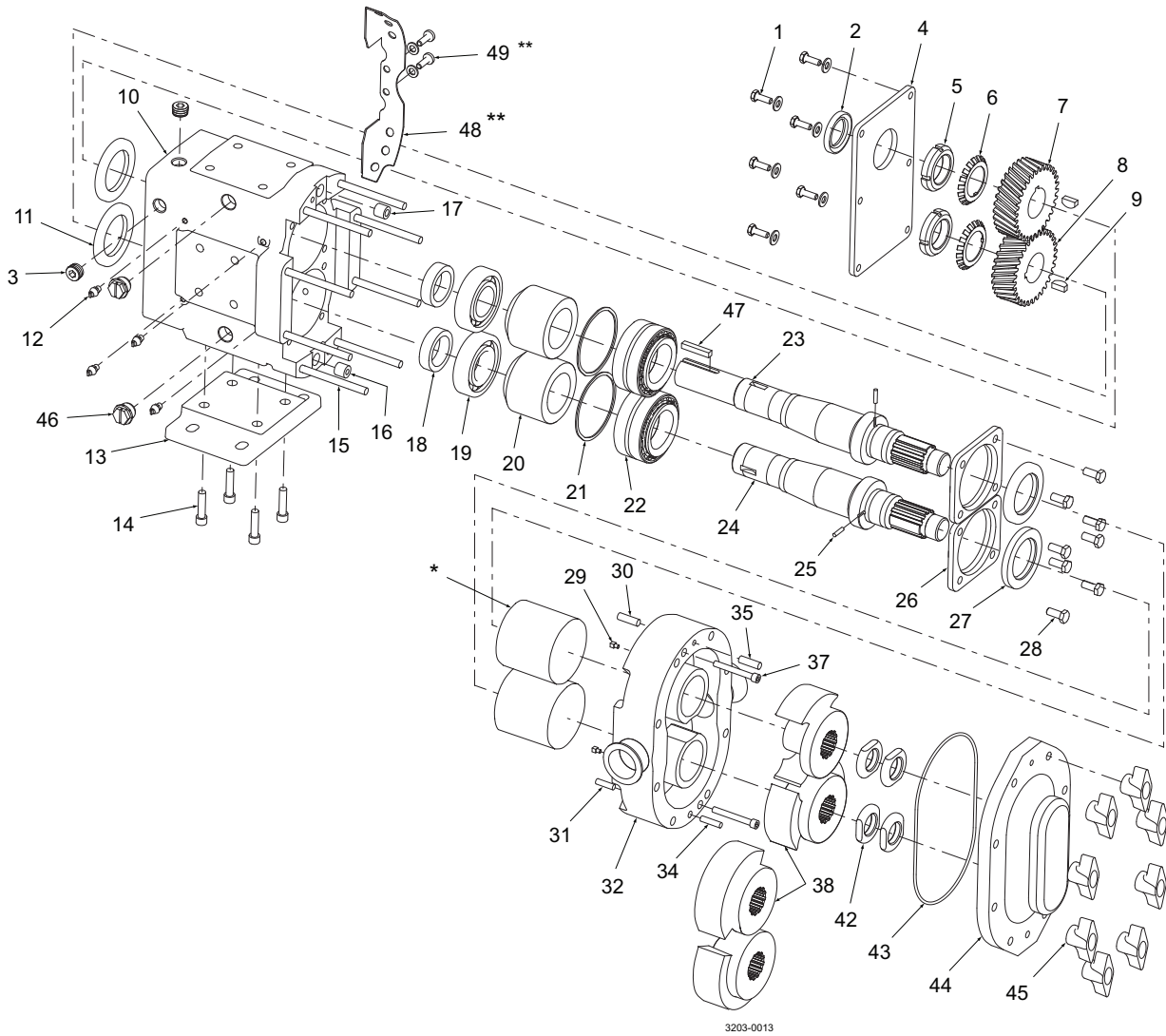
3203-0013

Pos	Qty	Denomination	Reference Part		
			No.	Item Number	
42	4	Jam Nut	BD0052001	9639142201	
43	1	Cover O-ring - NBR	N70261	9639143201	
	1	Cover O-ring - EPDM	E70261	9639143202	
	1	Cover O-ring - FPM	V70261	9639143203	
	1	Cover O-ring - Silicone	S75261	9639143204	
44	1	Pump Cover	BD0002S00	9639144201	
	1	Pump Cover - Jacketed	BD0002J10	9639144202	
45	8	Wing Nut - For pumps used within USA	105851	9639045201	
	8	Hex Nut	108370	9639045202	
46	4	Large Cleanout Plug		9639046201	
47	1	Drive Shaft Key, 1/4 X 1/4 X 1 3/4	000037002	9639047201	
48	2	Seal Guards, SS	9639048201		
49	4	Fastner, Seal Guard		9639049101	
49a	4	Washer, Seal Guard		9639049102	
	4	O-ring Removal Tool	AD0096001	9639090101	
	4	Rotor Nut Wrench	109896	9639090202	
	4	Oil, Magna-Plate 460-FG, 1-gal			
	4	Grease micro plate #2 (1 lb tube)	000140002	9639090401	
	4	Sealant RTV	000142301	9639090501	
	8	Grease Fitting Cap, Red Plastic		9639090601	
	12	Plastic Cap Tapped Holes, Mounting Pad	000121002	9639090702	
	2	Eye Bolt	30360	9639090801	
			EPDM	NBR	FPM

Service kit for SCPP1/030

•	Service Kit - Single O-Ring Seal/Stainless Steel Sleeve	9639103045	9639103034	9639103056
•	Service Kit - Single O-Ring Seal Zircona Sleeve	9639103046	9639103035	9639103057
▲	Service Kit - Double O-Ring Seal Stainless Steel Sleeve	9639103047	9639103036	9639103058
▲	Service Kit - Double O-Ring Seal Zircona Sleeve	9639103048	9639103037	9639103059
▲	Service Kit - Double O-Ring Seal Stainless Steel Sleeve	9639103049	9639103038	9639103060
▲	Service Kit - Double O-Ring Seal Zircona Sleeve	9639103050	9639103039	9639103061
◇	Service Kit - Single Mechanical Seal SC/C	9639103051	9639103040	9639103062
◇	Service Kit - Single Mechanical Seal SC/SC	9639103052	9639103041	9639103063
◇	Service Kit - Single Mechanical Seal CER/C	9639103053	9639103042	9639103064
□	Service Kit - Double Mechanical Seal SC/SC/C	9639103054	9639103043	9639103065
□	Service Kit - Double Mechanical Seal SC/SC/C	9639103055	9639103044	9639103066

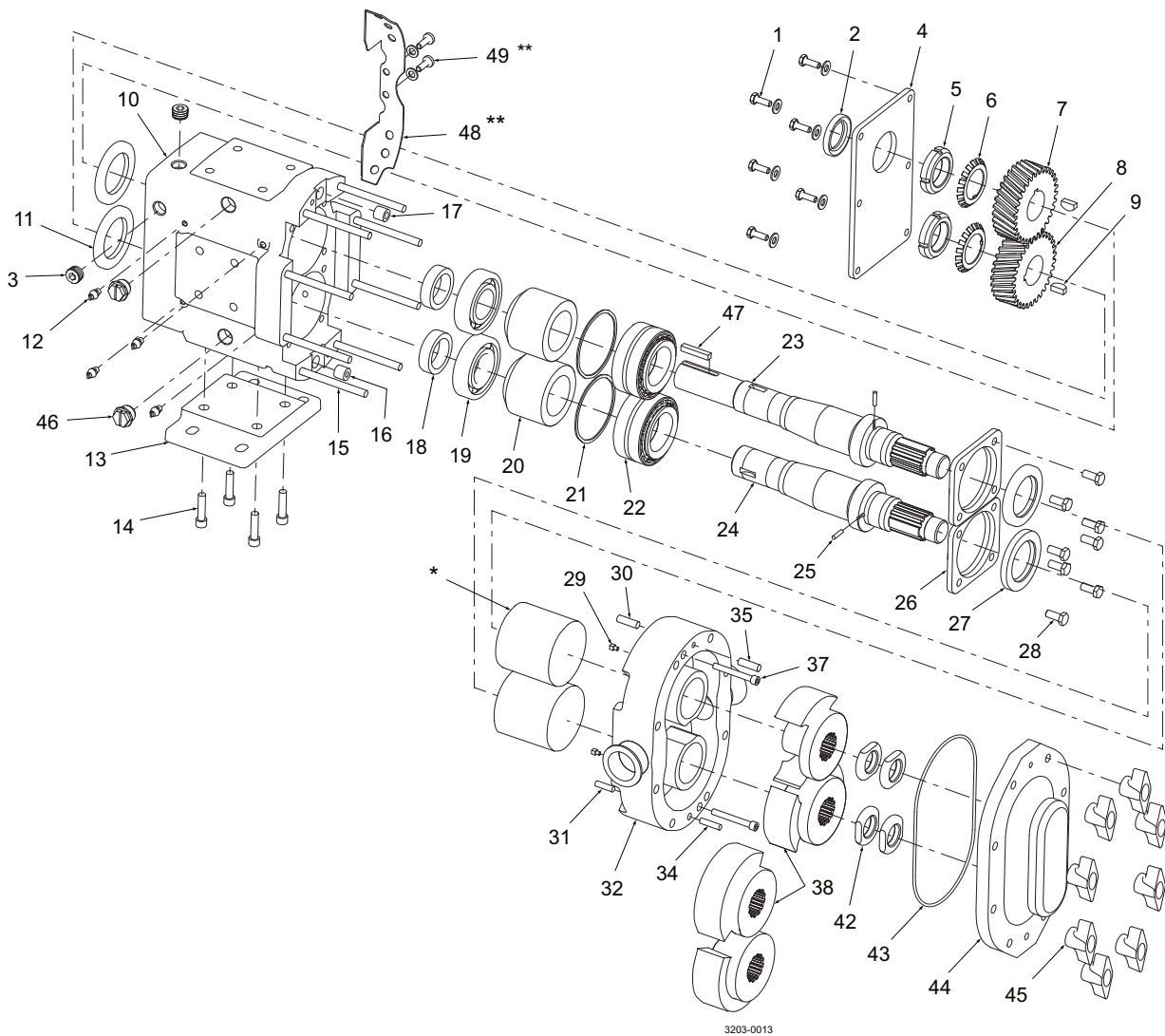
- * See seal repair parts
- ** Required for European CE compliance only
(not mandatory for USA market)



3203-0013

Pos	Qty	Denomination	Reference Part	
			No.	Item Number
1	6	Capscrew, Gear Case Cover, SS	3050	9639001301
1a	6	Washer GC Cover Capscrew, SS		9639001302
2	1	Oil Seal - Gear Case Cover	000030012	9639002301
3	4	Oil Level, Drain Plug, SS		9639003201
4	1	Gear Case Cover, Steel (includes installed seal)		
	1	Gear Case Cover, SS (includes installed seal)		
5	2	Lock Nut - Gear	STD236009	9639005301
6	2	Lock Washer - Gear	STD136009	9639006301
7	1	Gear Drive Shaft	060007001	9639007301
8	1	Gear Short Shaft	060007002	9639008301
9	2	Key, Gear	060037000	9639009301
10	1	Gear Case, Cl		
	1	Gear Case, SS	101834	9639010302
11	2	Oil Seal Rear	000030011	9639011301
12	8	Grease Fitting 1/8	BD0092000	9639012101
	8	Grease Fitting 1/8, SS		9639012102
13	1	Mounting Shim (Gear Case Base), Cl	070110000	9639013301
	1	Mounting Shim (Gear Case Base), SS		
14	4	Socket Head Capscrew, Mounting Shim, SS		9639014301
15	8	Stud, 045-060	108843	9639015301
	8	Stud, 130	130011000	9639015302
	8	Stud Jacketed Cover, 130	130011001	9639015304
16	1	Dowel Bushing, Lower	CD0116100	9639016301
17	1	Dowel (lower cover)	CD0116000	9639017301
18	2	Spacer Gear to Rear Bearing	107187	9639018301
19	2	Rear Bearing	107186	9639019301
20	2	Spacer Bearing	060055003	9639020301
21	2	Shim Kit	117891	9639021301
22	2	Front Bearing	060036000	9639022301
23	1	Drive Shaft (17-4PH), 045-060	060008001	9639123301
	1	Drive Shaft (17-4PH), 130	130008001	9639123302
24	1	Auxillary Shaft (17-4PH), 045-060	060009001	9639124301
	1	Auxillary Shaft (17-4PH), 130	130009001	9639124302
25	2	Drive Pin	CD0126000	9639125101
26	2	Bearing Retainer Front	121828	9639026301
	2	Bearing Retainer Front (previous version)	101812	9639026302
27	2	Grease Seal Front Brg Ret	000030009	9639127302
29	2	Stop Pin Seal	223126000	9639129301
30	1	Dowel Pin, Upper Gear Case	CD0040R00	9639030301
31	1	Dowel Pin, Lower Gear Case Side	CD0040R10	9639031301
32	1	Rotorcase, 045 - 2" Triclamp		
	1	Rotorcase, 045 - 2.1/2" Triclamp		9639132302
	1	Rotorcase, 060 - 2.1/2" Triclamp		
	1	Rotorcase, 060 - 3" Triclamp		9639132304
	1	Rotorcase, 130 - 3" Triclamp		
	1	Rotorcase, 130 - 4" Triclamp		9639132308
	1	Rotorcase for Flush, 060 - 2.1/2" Triclamp		9639132313
	1	Rotorcase for Flush, 060 - 3" Triclamp		
	1	Rotorcase for Flush, 130 - 3" Triclamp		9639132317
34	1	Dowel Pin, Lower Cover Side	CD0040100	9639034301
35	1	Dowel Pin, Upper Cover Side	CD0040000	9639035301
37	2	Rotorcase Retaining Screw, 045		9639037301
	2	Rotorcase Retaining Screw, 060		9639037302
	2	Rotorcase Retaining Screw, 130		9639037303
38	2	Rotor Twin Blade, Non-Galling Alloy, 045		9639138301
	2	Rotor Twin Blade, Non-Galling Alloy, 060	060010000	9639138302
	2	Rotor Twin Blade, Non-Galling Alloy, 130	130010000	9639138303

- * See seal repair parts
- ** Required for European CE compliance only
(not mandatory for USA market)



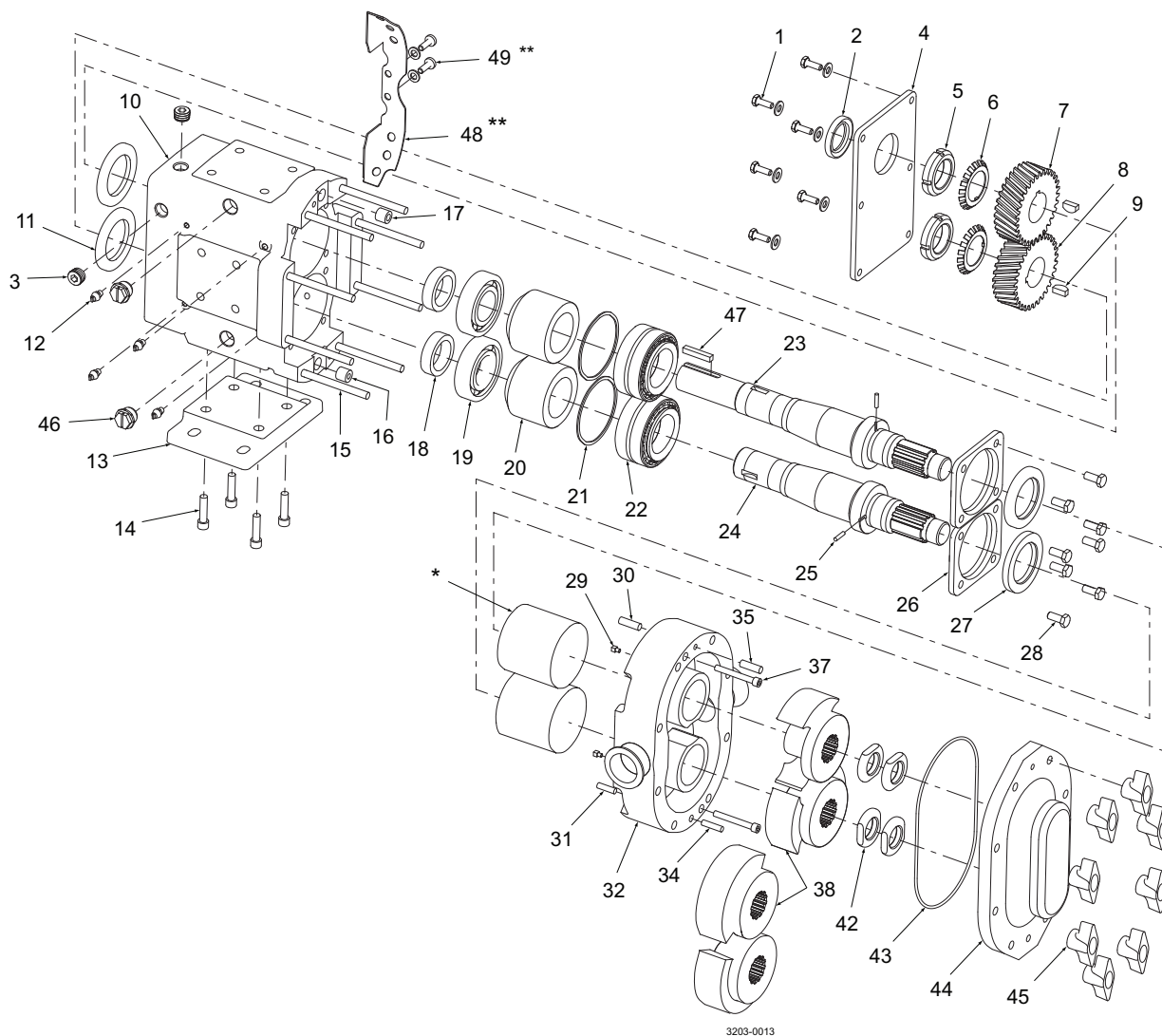
3203-0013

Pos	Qty	Denomination	Reference Part		
			No.	Item Number	
42	4	Jam Nut	060052001	9639142301	
43	1	Cover O-ring - NBR	N70272	9639143301	
	1	Cover O-ring - EPDM	E70272	9639143302	
	1	Cover O-ring - FPM	V70272	9639143303	
	1	Cover O-ring - Silicone	S75272	9639143304	
44	1	Pump Cover - alloy 808 chocolate special rotor twin blade		9639144301	
	1	Pump Cover - Jacketed	CD0002J10	9639144302	
45	8	Wing Nut - For pumps used within USA	105852	9639045301	
	8	Hex Nut	108371	9639045302	
46	4	Large Cleanout Plug		9639046301	
47	1	Drive Shaft Key, 3/8 X 3/8 X 1 5/8	000037003	9639047301	
48	2	Seal Guards, SS		9639048301	
49	4	Fastner, Seal Guard		9639049101	
49a	4	Washer, Seal Guard		9639049102	
	4	O-ring Removal Tool	AD0096001	9639090101	
	4	Rotor Nut Wrench	109897	9639090203	
	4	Oil, Magna-Plate 460-FG, 1-gal			
	4	Grease micro plate #2 (1 lb tube)	000140002	9639090401	
	4	Sealant RTV	000142301	9639090501	
	8	Grease Fitting Cap, Red Plastic		9639090601	
	12	Plastic Cap Tapped Holes, Mounting Pad	000121001	9639090703	
	2	Eye Bolt	30360	9639090801	
			EPDM	NBR	FPM

Service kit for SCPP1/045/060/130

•	Service kit, Single O-Ring Seal Stainless Steel Sleeve	9639103078	9639103067	9639103089
•	Service kit, Single O-Ring Seal Zircona Sleeve	9639103079	9639103068	9639103090
▲	Service kit - Double O-Ring Seal Stainless Steel Sleeve	9639103080	9639103069	9639103091
▲	Service kit - Double O-Ring Seal Zircona Sleeve	9639103081	9639103070	9639103092
▲	Service kit - Double O-Ring Seal Stainless Steel Sleeve	9639103082	9639103071	9639103093
▲	Service kit - Double O-Ring Seal Zircona Sleeve	9639103083	9639103072	9639103094
◇	Service kit - Single Mechanical Seal SC/C	9639103084	9639103073	9639103095
◇	Service kit - Single Mechanical Seal SC/SC	9639103085	9639103074	9639103096
◇	Service kit - Single Mechanical Seal CER/C	9639103086	9639103075	9639103097
□	Service kit - Double Mechanical Seal SC/SC/C	9639103087	9639103076	9639103098
□	Service kit - Double Mechanical Seal SC/SC/C	9639103088	9639103077	9639103099

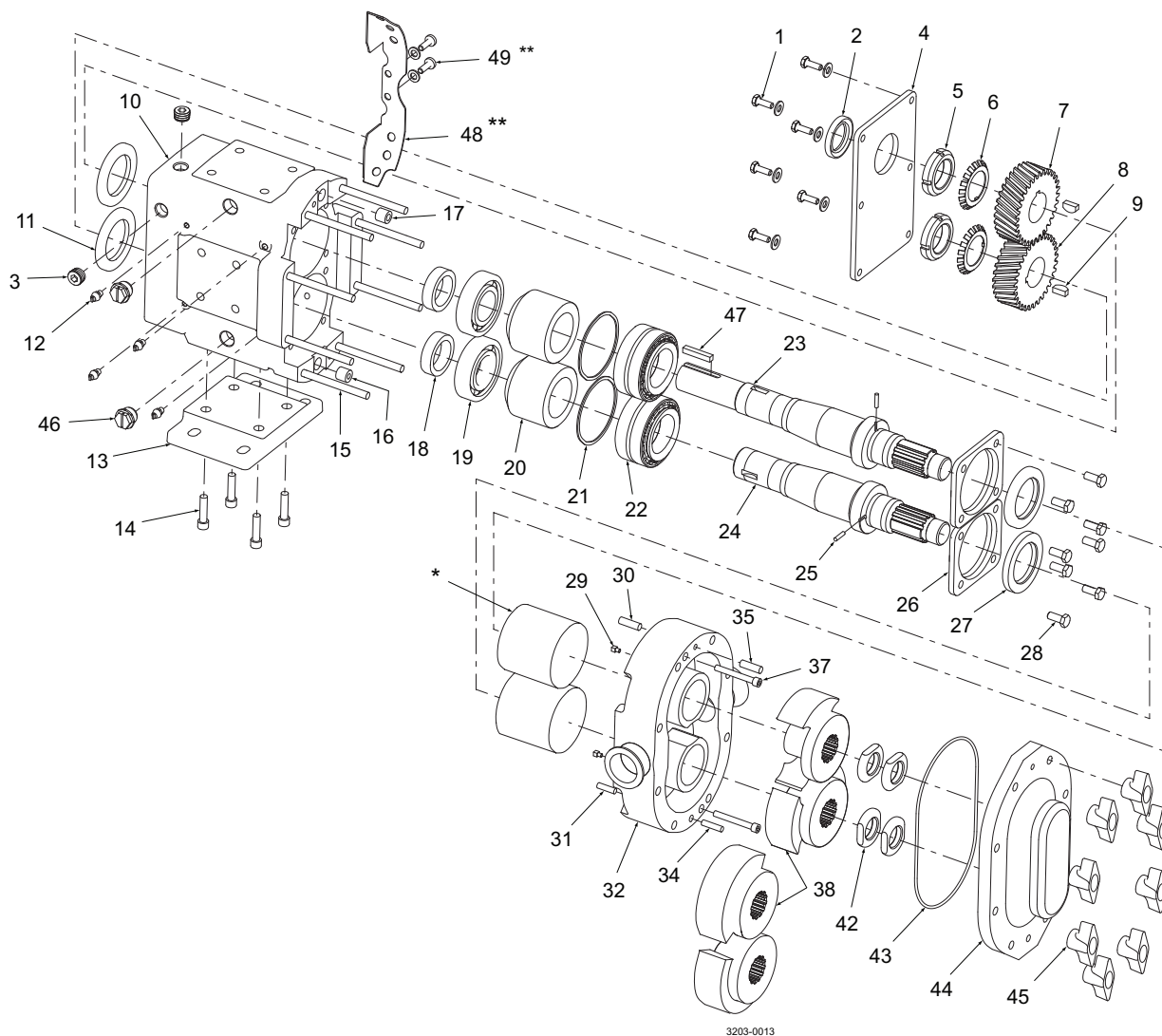
- * See seal repair parts
- ** Required for European CE compliance only (not mandatory for USA market)



3203-0013

Pos	Qty	Denomination	Reference Part	
			No.	Item Number
1	6	Capscrew, Gear Case Cover, SS	3050	9639001301
1a	6	Washer GC Cover Capscrew, SS		9639001302
2	1	Oil Seal - Gear Case Cover	STD030006	9639002401
3	4	Oil Level, Drain Plug		9639003301
4	1	Gear Case Cover, Steel (includes installed seal)		
5	2	Lock Nut - Gear	STD236011	9639005401
6	2	Lock Washer - Gear	STD136011	9639006401
7	1	Gear Drive Shaft	110932	9639007401
8	1	Gear Short Shaft	110932	9639008401
9	2	Key, Gear	200037000	9639009401
10	1	Gear Case, Cl		
11	2	Oil Seal Rear	STD119002	9639011401
12	8	Grease Fitting 1/8	BD0092000	9639012101
13	1	Mounting Shim (Gear Case Base), Cl	230110000	9639013401
14	4	Socket Head Capscrew, GC Base		
15	8	Stud, 220	108844	9639015401
16	1	Dowel Bushing, Lower	CD0116100	9639016301
17	1	Dowel (lower cover)	CD0116000	9639017301
18	2	Spacer Gear to Rear Bearing	40878	9639018401
19	2	Rear Bearing	200035000	9639019401
20	2	Spacer Bearing	40752	9639020401
21	2	Shim Kit		9639021401
22	2	Front Bearing	200036000	9639022401
23	1	Drive Shaft (17-4PH), 220	220008001	9639123401
24	1	Auxillary Shaft (17-4PH), 220	220009001	9639124401
25	2	Drive Pin	CD0126000	9639125101
26	2	Bearing Retainer Front		
	2	Bearing Retainer Front (previous version)	101813	9639026402
27	2	Grease Seal Front Brg Ret	121681	9639027401
28	8	Button Head Cap Screw, Bearing Retainer, SS		
29	2	Stop Pin Seal	223126000	9639129301
30	1	Dowel Pin, Upper Gear Case	CD0040R00	9639030301
31	1	Dowel Pin, Lower Gear Case Side	CD0040R10	9639031301
32	1	Rotorcase, 220 - 4" Triclamp		
34	1	Dowel Pin, Lower Cover Side	GD0040100	9639034401
35	1	Dowel Pin, Upper Cover Side	GD0040000	9639035401
37	2	Rotorcase Retaining Screw, 220	30499	9639037402
38	2	Rotor Twin Blade, Non-Galling Alloy, 220	220010000	9639138401

- * See seal repair parts
- ** Required for European CE compliance only (not mandatory for USA market)

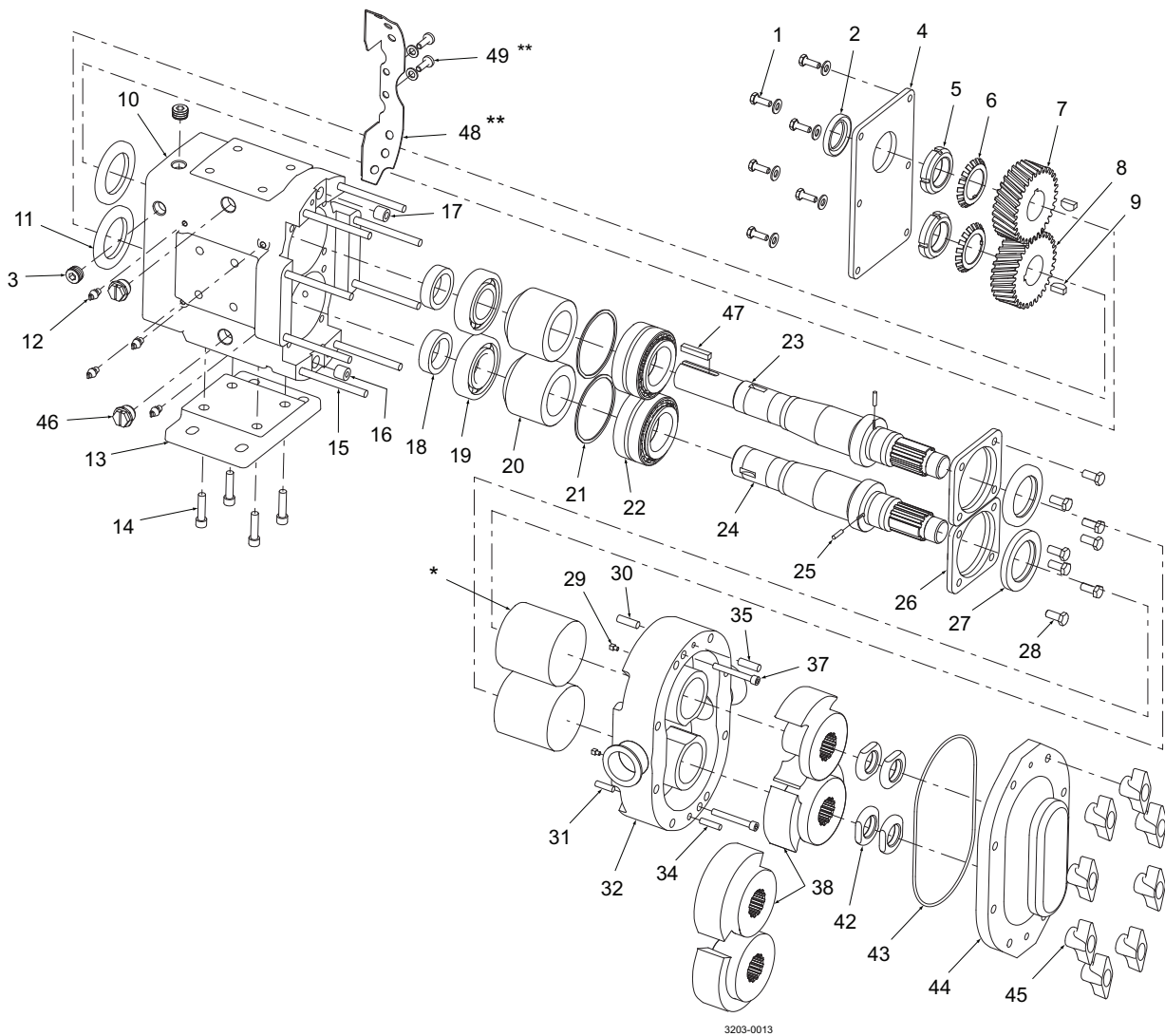


Pos	Qty	Denomination	Reference Part		
			No.	Item Number	
42	4	Jam Nut	GD0052001	9639142401	
43	1	Cover O-ring - NBR	GD0117000	9639143401	
	1	Cover O-ring - EPDM	GD0117002	9639143402	
	1	Cover O-ring - FPM	GD0117V00	9639143403	
	1	Cover O-ring - Silicone	GD0117SC0	9639143404	
44	1	Pump Cover	GD0002S00	9639144401	
45	8	Wing Nut - For pumps used within USA	105853	9639045401	
	8	Hex Nut	108372	9639045402	
46	4	Large Cleanout Plug		9639046301	
47	1	Drive Shaft Key, 1/2 X 1/2 X 1 7/8	000037004	9639047401	
48	2	Seal Guards, SS		9639048401	
49	4	Fastner, Seal Guard		9639049101	
49a	4	Washer, Seal Guard		9639049102	
	4	O-ring Removal Tool	AD0096001	9639090101	
	4	Rotor Nut Wrench	109898	9639090204	
	4	Oil, Magna-Plate 460-FG, 1-gal			
	4	Grease micro plate #2 (1 lb tube)	000140002	9639090401	
	4	Sealant RTV	000142301	9639090501	
	8	Grease Fitting Cap, Red Plastic		9639090601	
	12	Plastic Cap Tapped Holes, Mounting Pad	000121001	9639090703	
	2	Eye Bolt	30360	9639090801	
			EPDM	NBR	FPM

Service kit for SCPP1/220

•	Service kit - Single O-Ring Seal Stainless Steel Sleeve	9639103111	9639103100	9639103122
•	Service kit - Single O-Ring Seal Zircona Sleeve	9639103112	9639103101	9639103123
▲	Service kit - Double O-Ring Seal Stainless Steel Sleeve	9639103113	9639103102	9639103124
▲	Service kit - Double O-Ring Seal Zircona Sleeve	9639103114	9639103103	9639103125
▲	Service kit - Double O-Ring Seal Stainless Steel Sleeve	9639103115	9639103104	9639103126
▲	Service kit - Double O-Ring Seal Zircona Sleeve	9639103116	9639103105	9639103127
◇	Service kit - Single Mechanical Seal SC/C	9639103117	9639103106	9639103128
◇	Service kit - Single Mechanical Seal SC/SC	9639103118	9639103107	9639103129
◇	Service kit - Single Mechanical Seal CER/C	9639103119	9639103108	9639103130
□	Service kit - Double Mechanical Seal SC/SC/C	9639103120	9639103109	9639103131
□	Service kit - Double Mechanical Seal SC/SC/C	9639103121	9639103110	9639103132

- * See seal repair parts
- ** Required for European CE compliance only
(not mandatory for USA market)

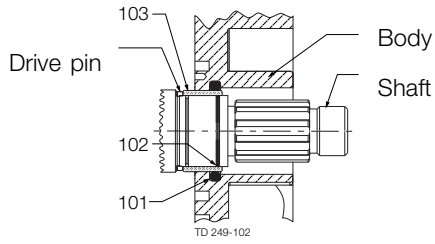


3203-0013

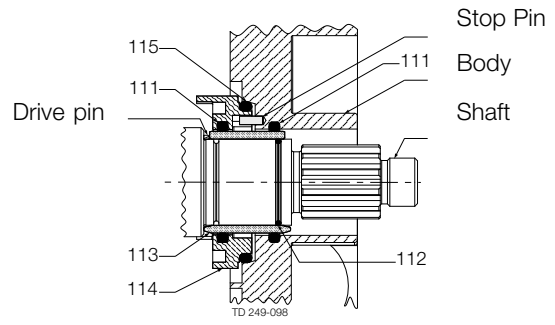
Pos	Qty	Denomination	Reference Part	
			No.	Item Number
1	6	Capscrew, Gear Case Cover, SS	3050	9639001301
1a	6	Washer GC Cover Capscrew, SS		9639001302
2	1	Oil Seal - Gear Case Cover		9639002501
3	4	Oil Level, Drain Plug		9639003301
4	1	Gear Case Cover, Steel (includes installed seal)		
5	2	Lock Nut - Gear	105697	9639005501
6	2	Lock Washer - Gear		9639006501
7	1	Gear Drive Shaft	102470	9639007501
8	1	Gear Short Shaft	102470	9639008501
9	2	Key, Gear	OH1037000	9639009501
10	1	Gear Case, Cl	40616	9639010501
11	2	Oil Seal Rear	102475	9639011501
12	8	Grease Fitting 1/8	BD0092000	9639012101
13	1	Mounting Shim (Gear Case Base), Cl	40288	9639013501
14	4	Socket Head Capscrew, GC Base		
15	4	Stud, Cover, Long	111292	9639015501
16	2	Dowel Bushing, Gearcase		
18	2	Spacer Gear to Rear Bearing	102474	9639018501
19	2	Rear Bearing	OH1036000	9639019501
20	2	Spacer Bearing	102472	9639020501
21	2	Shim Kit	117893	9639021501
22	2	Front Bearing	OH1036003	9639022501
23	1	Drive Shaft (17-4PH), 320		
24	1	Short Shaft (17-4PH), 320		
26	2	Bearing Retainer Front	123533	9639026501
27	2	Grease Seal Front Brg Ret	121681	9639027401
28	8	Button Head Cap Screw, Bearing Retainer, SS		
29	8	3/8-16x1-1/4" SS Cap Screw, Gland		
29a	8	3/8" SS Lockwasher, Gland	4328	9639129502
30	2	Seal Gland, No Flush		
	2	Seal Gland, W/Flush Holes	300034001	9639130502
31	2	Dowel Pin, Gear Case Side		9639031501
32	1	Rotorcase, 320		
34	4	Stud, Cover, Short		
35	2	Dowel Pin, Cover Side		9639235501
37	2	Rotorcase Retaining Screw, 320		9639037303
38	2	Rotor Twin Blade, Non-Galling Alloy, 320	320010000	9639138501
42	4	Jam Nut		
43	1	Cover O-ring - NBR	N70280	9639143501
	1	Cover O-ring - EPDM	E70280	9639143502
	1	Cover O-ring - FPM	V70280	9639143503
	1	Cover O-ring - Silicone	323117013	9639143504
44	1	Pump Cover		
45	8	Wing Nut - For pumps used within USA		
	8	Hex Nut (optional)	108373	9639045502
46	4	Large Cleanout Plug		9639046301
47	1	Drive Shaft Key, 5/8 X 5/8 X 2 3/4	000037005	9639047501
48	2	Seal Guards, SS		
49	4	Fastner, Seal Guard		9639049101
49a	4	Washer, Seal Guard		9639049102
	3	Eye Bolt	30360	9639090801
	8	Grease Fitting Cap, Red Plastic		9639090601
	10	Plastic Cap Tapped Holes, Mounting Pad	000121001	9639090703
	3	Eye Bolt	30360	9639090801
	0	O-ring Removal Tool	AD0096001	9639090101
	0	Rotor Nut Wrench	112829	9639090205
	0	Sealant RTV	000142301	9639090501
	0	Oil, Magna-Plate 460-FG, 1-gal		
	0	Grease micro plate #2 (1 lb tube)	000140002	9639090401
			EPDM	FPM

Service kit for SCPP1/320

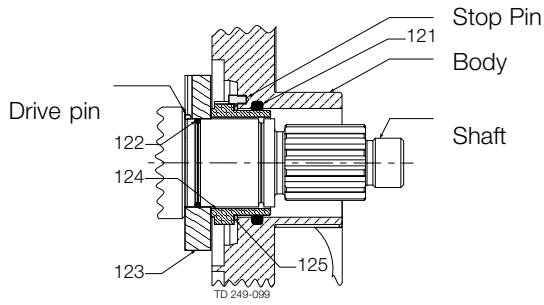
◇	Service Kit - Single Mechanical Seal SC/C	9639103133	9639103136
□	Service Kit - Double Mechanical Seal SC/SC/C	9639103134	9639103137
□	Service Kit - Double Mechanical Seal SC/SC/C	9639103135	9639103138



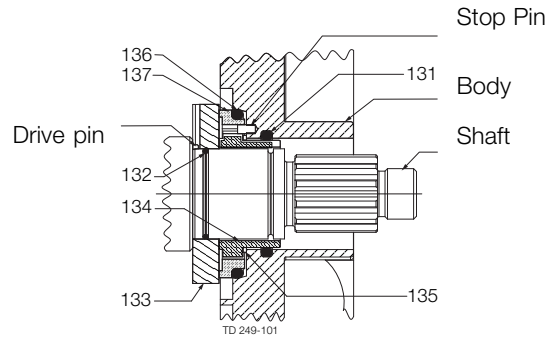
Single O-ring Seal



Double O-ring Seal

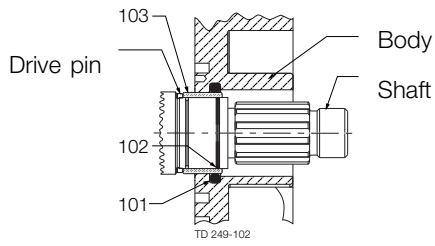


Single Mechanical Seal

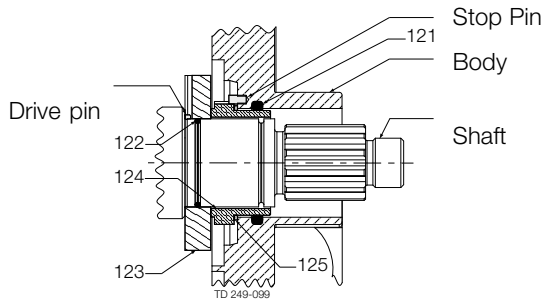


Double Mechanical Seal

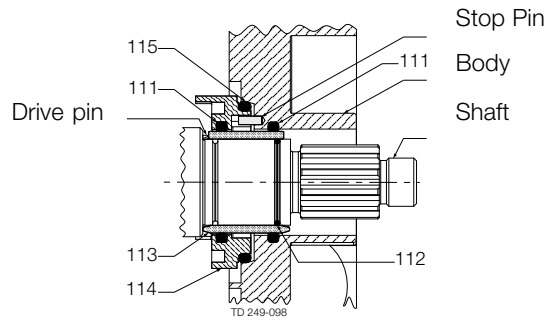
Pos	Qty	Denomination	Reference Part	
			No.	Item Number
Single O-ring Seal:				
101 •	2	Rotorcase O-ring - NBR	AD0079000	9639161101
	2	Rotorcase O-ring - EPDM	AD0079002	9639161102
	2	Rotorcase O-ring - FPM	AD0079V00	9639161103
	2	Rotorcase O-ring - Silicone	AD0079SC0	9639161104
102 •	2	Shaft O-ring - NBR	N70022	9639162101
	2	Shaft O-ring - EPDM	E70022	9639162102
	2	Shaft O-ring - FPM	V70022	9639162103
	2	Shaft O-ring - Silicone	S75022	9639162104
103 •	2	Sleeve SS	015098000	9639163101
	2	Sleeve Zirconia	015098004	9639163102
	2	Chrome Oxide Coated SS Sleeve	015098002	9639163103
Double O-ring Seal:				
111 ▲	4	Rotorcase O-ring - NBR	AD0079000	9639161101
	4	Rotorcase O-ring - EPDM	AD0079002	9639161102
	4	Rotorcase O-ring - FPM	AD0079V00	9639161103
	4	Rotorcase O-ring - Silicone	AD0079SC0	9639161104
112 ▲	2	Shaft O-ring - NBR	N70022	9639162101
	2	Shaft O-ring - EPDM	E70022	9639162102
	2	Shaft O-ring - FPM	V70022	9639162103
	2	Shaft O-ring - Silicone	S75022	9639162104
113 ▲	2	Sleeve SS	015098000	9639163101
	2	Sleeve Zirconia	015098004	9639163102
	2	Chrome Oxide Coated SS Sleeve	015098002	9639163103
114 ▲	2	O-ring Seal Carrier	015034001	9639164101
	2	O-ring Seal Carrier (previous version)	015034000	9639164102
115 ▲	2	Outer Seal O-ring - NBR	N50228	9639165101
	2	Outer Seal O-ring - EPDM	E50228	9639165102
	2	Outer Seal O-ring - FPM	V50228	9639165103
Single Mechanical Seal:				
121 ✧	2	Rotorcase O-ring - NBR	AD0079000	9639161101
	2	Rotorcase O-ring - EPDM	AD0079002	9639161102
	2	Rotorcase O-ring - FPM	AD0079V00	9639161103
	2	Rotorcase O-ring - Silicone	AD0079SC0	9639161104
122 ✧	2	Shaft O-ring - NBR	N70022	9639162101
	2	Shaft O-ring - EPDM	E70022	9639162102
	2	Shaft O-ring - FPM	V70022	9639162103
	2	Shaft O-ring - Silicone	S75022	9639162104
123 ✧	2	Seal Seat Ceramic	015014002	9639167102
	2	Seal Seat Silicon Carbide	015014009	9639167103
	2	Seal Seat Chrome Oxide	015014001	9639167104
124 ✧	2	Seal Inner Carbon - 1 piece	015306007	9639168101
	2	Seal Inner Ceramic	40635	9639168102
	2	Seal Inner Silicon Carbide	015306009	9639168103
	2	Seal Inner Chrome Oxide	015306002	9639168104
125 ✧	2	Wave Spring	015304000	9639169101
Double Mechanical Seal:				
131 □	2	Rotorcase O-ring - NBR	AD0079000	9639161101
	2	Rotorcase O-ring - EPDM	AD0079002	9639161102
	2	Rotorcase O-ring - FPM	AD0079V00	9639161103
	2	Rotorcase O-ring - Silicone	AD0079SC0	9639161104
132 □	2	Shaft O-ring - NBR	N70022	9639162101
	2	Shaft O-ring - EPDM	E70022	9639162102
	2	Shaft O-ring - FPM	V70022	9639162103
	2	Shaft O-ring - Silicone	S75022	9639162104
133 □	2	Seal Seat Ceramic	015014002	9639167102
	2	Seal Seat Silicon Carbide	015014009	9639167103
	2	Seal Seat Chrome Oxide	015014001	9639167104
134 □	2	Seal Inner Carbon	015306007	9639168101
	2	Seal Inner Ceramic	40635	9639168102
	2	Seal Inner Silicon Carbide	015306009	9639168103
	2	Seal Inner Chrome Oxide	015306002	9639168104
135 □	2	Wave Spring	015304000	9639169101
136 □	2	Outer Seal O-ring - NBR	N50228	9639165101
	2	Outer Seal O-ring - EPDM	E50228	9639165102
	2	Outer Seal O-ring - FPM	V50228	9639165103
137 □	2	Seal Outer Carbon	015206007	9639170101



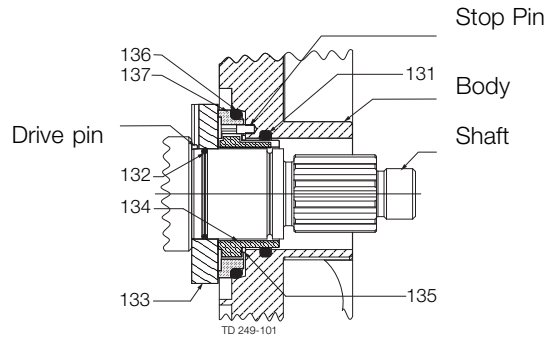
Single O-ring Seal



Single Mechanical Seal

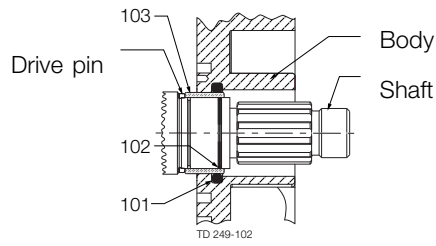


Double O-ring Seal

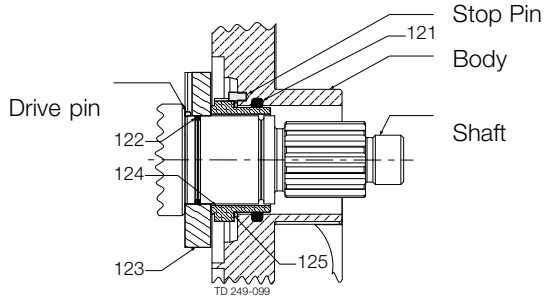


Double Mechanical Seal

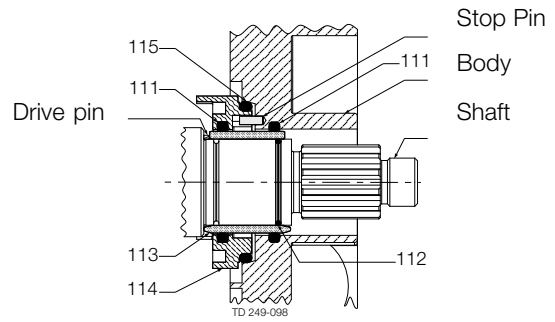
		EPDM	NBR	FPM
Service sealing kit for SCPP1/006/015/018				
□	Seal kit, Double Mechanical Seal/SC, SC/C	9639102001	9639102011	9639102006
▲	Seal kit, Double O-Ring Seal/Stainless Steel Sleeve	9639102015	9639102023	9639102019
▲	Seal kit, Double O-Ring Seal/Zircona Sleeve	9639102027	9639102035	9639102031
◇	Seal kit, Single Mechanical Seal/CER, C	9639102039	9639102047	9639102043
◇	Seal kit, Single Mechanical Seal/SC, C	9639102051	9639102061	9639102056
◇	Seal kit, Single Mechanical Seal/SC, SC	9639102065	9639102073	9639102069
●	Seal kit, Single O-Ring Seal/Stainless Steel Sleeve	9639102077	9639102085	9639102081
●	Seal kit, Single O-Ring Seal/Zircona Sleeve	9639102089	9639102097	9639102093



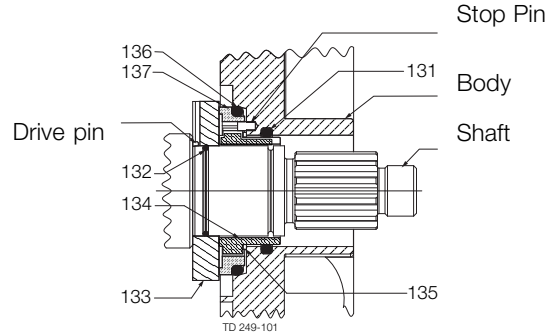
Single O-ring Seal



Single Mechanical Seal

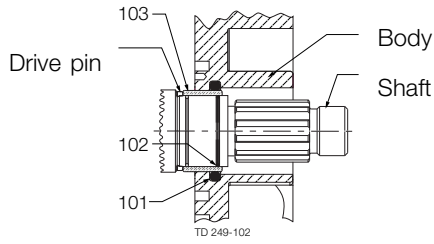


Double O-ring Seal

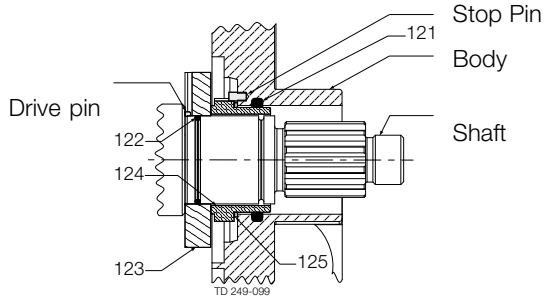


Double Mechanical Seal

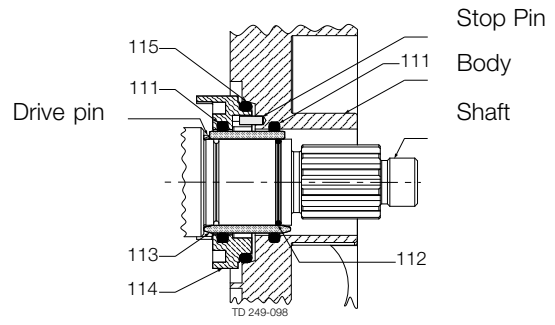
Pos	Qty	Denomination	Reference Part	
			No.	Item Number
Single O-ring Seal:				
101 ●	2	Rotorcase O-ring - NBR	N70327	9639161201
	2	Rotorcase O-ring - EPDM	E70327	9639161202
	2	Rotorcase O-ring - FPM	V70327	9639161203
102 ●	2	Rotorcase O-ring - Silicone	S75327	9639161204
	2	Shaft O-ring - NBR	N70028	9639062201
	2	Shaft O-ring - EPDM	E70028	9639062202
	2	Shaft O-ring - FPM	V70028	9639062203
103 ●	2	Shaft O-ring - Silicone	S75028	9639162204
	2	Sleeve SS	030098000	9639163201
	2	Sleeve Zirconia	030098004	9639163202
	2	Chrome Oxide Coated SS Sleeve	030098002	9639163203
Double O-ring Seal:				
111 ▲	4	Rotorcase O-ring - NBR	N70327	9639161201
	4	Rotorcase O-ring - EPDM	E70327	9639161202
	4	Rotorcase O-ring - FPM	V70327	9639161203
112 ▲	4	Rotorcase O-ring - Silicone	S75327	9639161204
	2	Shaft O-ring - NBR	N70028	9639062201
	2	Shaft O-ring - EPDM	E70028	9639062202
	2	Shaft O-ring - FPM	V70028	9639062203
113 ▲	2	Shaft O-ring - Silicone	S75028	9639162204
	2	Sleeve SS	030098000	9639163201
	2	Sleeve Zirconia	030098004	9639163202
	2	Chrome Oxide Coated SS Sleeve	030098002	9639163203
114 ▲	2	O-ring Seal Carrier	030034001	9639164201
	2	O-ring Seal Carrier (previous version)	030034000	9639164202
115 ▲	2	Outer Seal O-ring - NBR	N50335	9639165201
	2	Outer Seal O-ring - EPDM	E50335	9639165202
	2	Outer Seal O-ring - FPM	V50335	9639165203
	2	Outer Seal O-ring - Silicone	S50335	9639165204
Single Mechanical Seal:				
121 ◇	2	Rotorcase O-ring - NBR	N70327	9639161201
	2	Rotorcase O-ring - EPDM	E70327	9639161202
	2	Rotorcase O-ring - FPM	V70327	9639161203
122 ◇	2	Rotorcase O-ring - Silicone	S75327	9639161204
	2	Shaft O-ring - NBR	N70028	9639062201
	2	Shaft O-ring - EPDM	E70028	9639062202
	2	Shaft O-ring - FPM	V70028	9639062203
123 ◇	2	Shaft O-ring - Silicone	S75028	9639162204
	2	Seal Seat Ceramic	030014002	9639167202
	2	Seal Seat Silicon Carbide	030014009	9639167203
124 ◇	2	Seal Seat Chrome Oxide	030014001	9639167204
	2	Seal Inner Carbon - 1 piece	030306007	9639168201
	2	Seal Inner Ceramic	40821	9639168202
125 ◇	2	Seal Inner Silicon Carbide	030306009	9639168203
	2	Seal Inner Chrome Oxide	030306002	9639168204
	2	Wave Spring	030304000	9639169201
Double Mechanical Seal:				
131 □	2	Rotorcase O-ring - NBR	N70327	9639161201
	2	Rotorcase O-ring - EPDM	E70327	9639161202
	2	Rotorcase O-ring - FPM	V70327	9639161203
132 □	2	Rotorcase O-ring - Silicone	S75327	9639161204
	2	Shaft O-ring - NBR	N70028	9639062201
	2	Shaft O-ring - EPDM	E70028	9639062202
	2	Shaft O-ring - FPM	V70028	9639062203
133 □	2	Shaft O-ring - Silicone	S75028	9639162204
	2	Seal Seat Ceramic	030014002	9639167202
	2	Seal Seat Silicon Carbide	030014009	9639167203
134 □	2	Seal Seat Chrome Oxide	030014001	9639167204
	2	Seal Inner Carbon	030306007	9639168201
	2	Seal Inner Ceramic	40821	9639168202
135 □	2	Seal Inner Silicon Carbide	030306009	9639168203
	2	Seal Inner Chrome Oxide	030306002	9639168204
	2	Wave Spring	030304000	9639169201
136 □	2	Outer Seal O-ring - NBR	N50335	9639165201
	2	Outer Seal O-ring - EPDM	E50335	9639165202
	2	Outer Seal O-ring - FPM	V50335	9639165203
	2	Outer Seal O-ring - Silicone	S50335	9639165204
137 □	2	Seal Outer Carbon	030206007	9639170201
	2	Seal Outer Chrome Oxide	030206002	9639170204



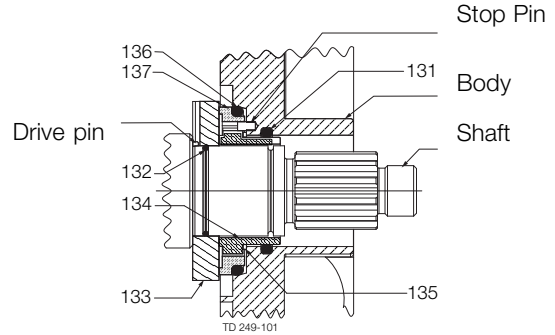
Single O-ring Seal



Single Mechanical Seal

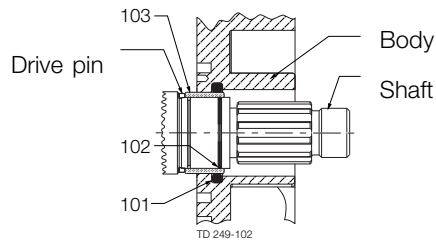


Double O-ring Seal

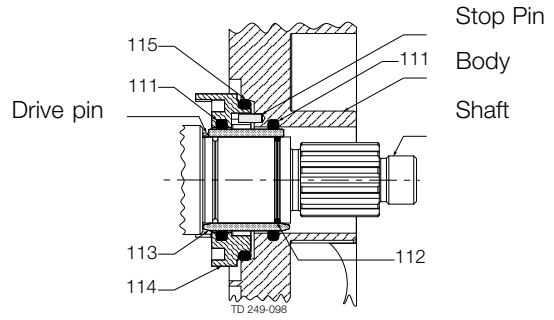


Double Mechanical Seal

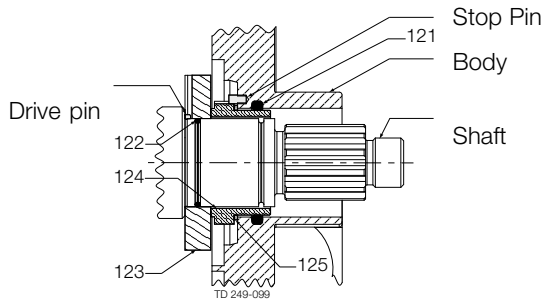
		EPDM	NBR	FPM
Service sealing kit for SCPP1/030				
□	Seal kit, Double Mechanical Seal/SC, SC/C	9639102002	9639102012	9639102007
▲	Seal kit, Double O-Ring Seal/Stainless Steel Sleeve	9639102016	9639102024	9639102020
▲	Seal kit, Double O Ring Seal/Zircona Sleeve	9639102028	9639102036	9639102032
◇	Seal kit, Single Mechanical Seal/CER, C	9639102040	9639102048	9639102044
◇	Seal kit, Single Mechanical Seal/SC, C	9639102052	9639102062	9639102057
◇	Seal kit, Single Mechanical Seal/SC, SC	9639102066	9639102074	9639102070
●	Seal kit, Single O-Ring Seal/Stainless Steel Sleeve	9639102078	9639102086	9639102082
●	Seal kit, Single O-Ring Seal/Zircona Sleeve	9639102090	9639102098	9639102094



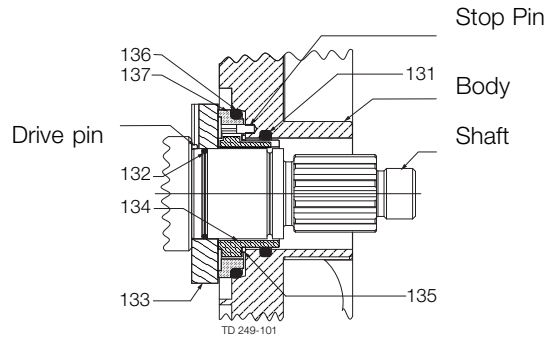
Single O-ring Seal



Double O-ring Seal

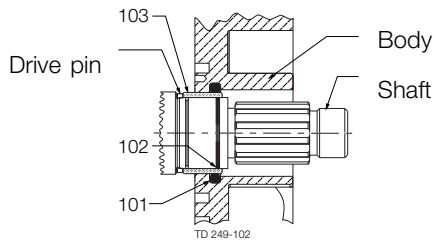


Single Mechanical Seal

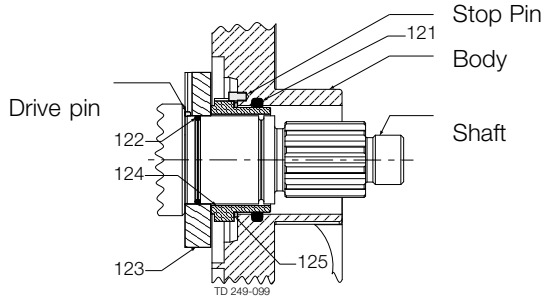


Double Mechanical Seal

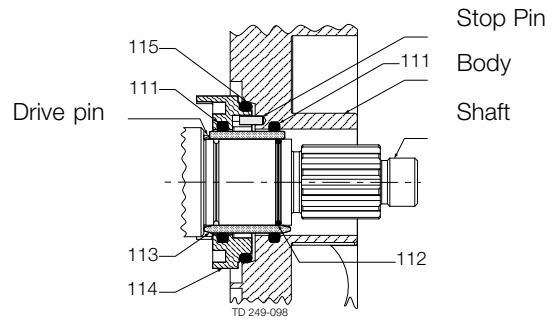
Pos	Qty	Denomination	Reference Part	
			No.	Item Number
Single O-ring Seal:				
101 •	2	Rotorcase O-ring, NBR	N70331	9639161301
	2	Rotorcase O-ring, EPDM	E70331	9639161302
	2	Rotorcase O-ring, FPM	V70331	9639161303
	2	Rotorcase O-ring, Silicone	S75331	9639161304
102 •	2	Shaft O-ring, NBR	N70131	9639162301
	2	Shaft O-ring, EPDM	E70131	9639162302
	2	Shaft O-ring, FPM	V70131	9639162303
	2	Shaft O-ring, Silicone	S75131	9639162304
103 •	2	Sleeve SS	060098000	9639163301
	2	Sleeve Zirconia	060098004	9639163302
	2	Chrome Oxide Coated SS Sleeve		
Double O-ring Seal:				
111 ▲	4	Rotorcase O-ring, NBR	N70331	9639161301
	4	Rotorcase O-ring, EPDM	E70331	9639161302
	4	Rotorcase O-ring, FPM	V70331	9639161303
	4	Rotorcase O-ring, Silicone	S75331	9639161304
112 ▲	2	Shaft O-ring, NBR	N70131	9639162301
	2	Shaft O-ring, EPDM	E70131	9639162302
	2	Shaft O-ring, FPM	V70131	9639162303
	2	Shaft O-ring, Silicone	S75131	9639162304
113 ▲	2	Sleeve SS	060098000	9639163301
	2	Sleeve Zirconia	060098004	9639163302
	2	Chrome Oxide Coated SS Sleeve		
114 ▲	2	O-ring Seal Carrier	060034001	9639164301
	2	O-ring Seal Carrier (previous version)	060034000	9639164302
115 ▲	2	Outer Seal O-ring, NBR	N50338	9639165301
	2	Outer Seal O-ring, EPDM	E50338	9639165302
	2	Outer Seal O-ring, FPM	V50338	9639165303
Single Mechanical Seal:				
121 ✧	2	Rotorcase O-ring, NBR	N70331	9639161301
	2	Rotorcase O-ring, EPDM	E70331	9639161302
	2	Rotorcase O-ring, FPM	V70331	9639161303
	2	Rotorcase O-ring, Silicone	S75331	9639161304
122 ✧	2	Shaft O-ring, NBR	N70131	9639162301
	2	Shaft O-ring, EPDM	E70131	9639162302
	2	Shaft O-ring, FPM	V70131	9639162303
	2	Shaft O-ring, Silicone	S75131	9639162304
123 ✧	2	Seal Seat Ceramic	060014002	9639167302
	2	Seal Seat Silicone Carbide	060014009	9639167303
	2	Seal Seat Chrome Oxide	060014001	9639167304
124 ✧	2	Seal Inner Carbon - 1 piece	060306007	9639168301
	2	Seal Inner Ceramic	40642	9639168302
	2	Seal Inner Silicone Carbide	060306009	9639168303
	2	Seal Inner Chrome Oxide	060306002	9639168304
125 ✧	2	Wave Spring	060304000	9639169301
Double Mechanical Seal:				
131 □	2	Rotorcase O-ring, NBR	N70331	9639161301
	2	Rotorcase O-ring, EPDM	E70331	9639161302
	2	Rotorcase O-ring, FPM	V70331	9639161303
	2	Rotorcase O-ring, Silicone	S75331	9639161304
132 □	2	Shaft O-ring, NBR	N70131	9639162301
	2	Shaft O-ring, EPDM	E70131	9639162302
	2	Shaft O-ring, FPM	V70131	9639162303
	2	Shaft O-ring, Silicone	S75131	9639162304
133 □	2	Seal Seat Ceramic	060014002	9639167302
	2	Seal Seat Silicone Carbide	060014009	9639167303
	2	Seal Seat Chrome Oxide	060014001	9639167304
134 □	2	Seal Inner Carbon	060306007	9639168301
	2	Seal Inner Ceramic	40642	9639168302
	2	Seal Inner Silicone Carbide	060306009	9639168303
	2	Seal Inner Chrome Oxide	060306002	9639168304
135 □	2	Wave Spring	060304000	9639169301
136 □	2	Outer Seal O-ring, NBR	N50338	9639165301
	2	Outer Seal O-ring, EPDM	E50338	9639165302
	2	Outer Seal O-ring, FPM	V50338	9639165303
137 □	2	Seal Outer Carbon	060206007	9639170301
	2	Seal Outer Chrome Oxide	060206002	9639170304



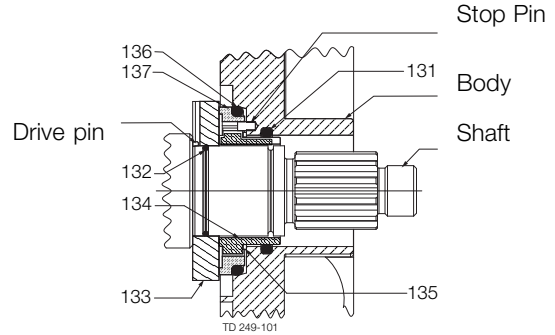
Single O-ring Seal



Single Mechanical Seal

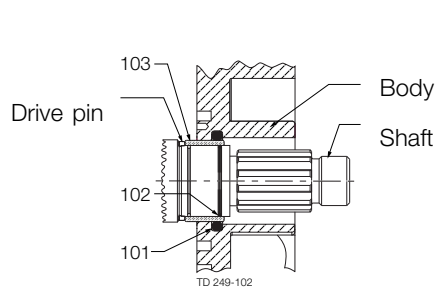


Double O-ring Seal

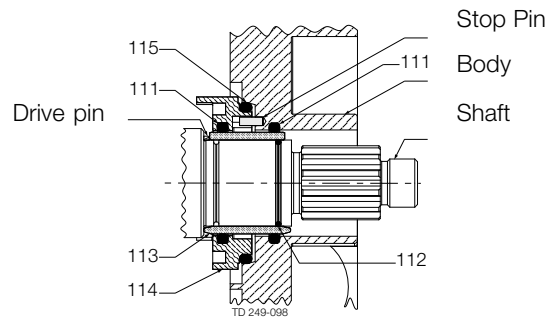


Double Mechanical Seal

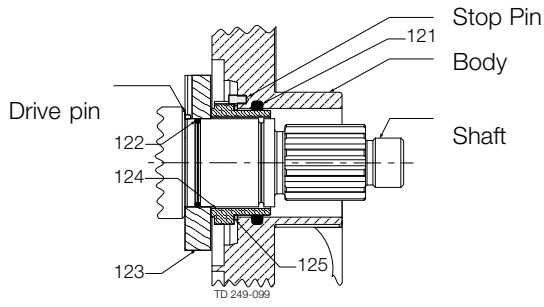
		EPDM	NBR	FPM
Service kit sealing for SCPP1/045/060/130				
□	Seal kit, Double Mechanical Seal/SC, SC/C	9639102003	9639102013	9639102008
▲	Seal kit, Double O-Ring Seal/Stainless Steel Sleeve	9639102017	9639102025	9639102021
▲	Seal kit, Double O-Ring Seal/Zircona Sleeve	9639102029	9639102037	9639102033
◇	Seal kit, Single Mechanical Seal/CER, C	9639102041	9639102049	9639102045
◇	Seal kit, Single Mechanical Seal/SC, C	9639102053	9639102063	9639102058
◇	Seal kit, Single Mechanical Seal/SC, SC	9639102067	9639102075	9639102071
●	Seal kit, Single O-Ring Seal/Stainless Steel Sleeve	9639102079	9639102087	9639102083
●	Seal kit, Single O-Ring Seal/Zircona Sleeve	9639102091	9639102099	9639102095



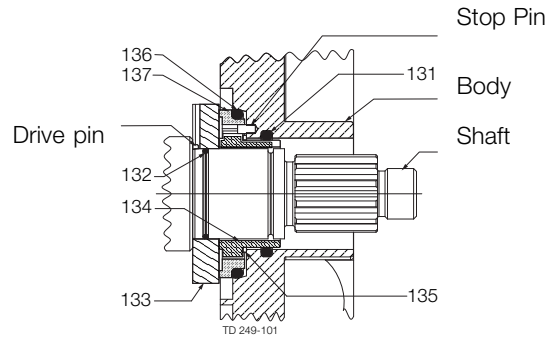
Single O-ring Seal



Double O-ring Seal

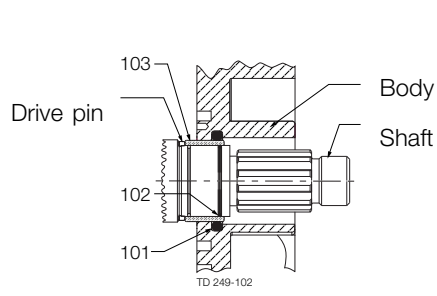


Single Mechanical Seal

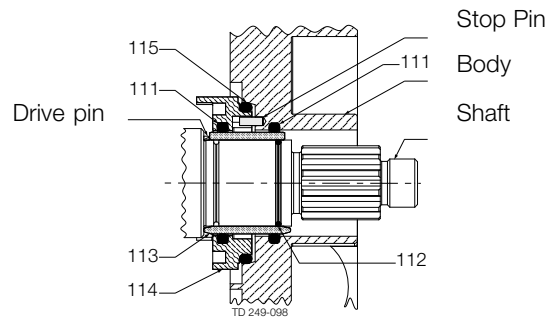


Double Mechanical Seal

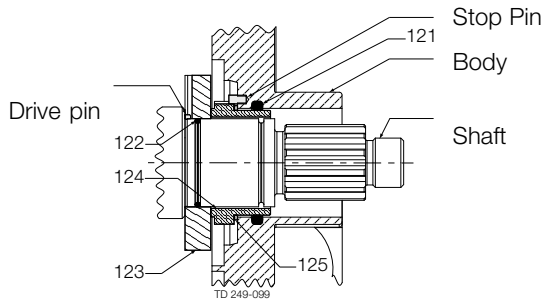
Pos	Qty	Denomination	Reference Part	
			No.	Item Number
Single O-ring Seal:				
101 •	2	Rotorcase O-ring, NBR	N70338	9639161401
	2	Rotorcase O-ring, EPDM	E70338	9639161402
	2	Rotorcase O-ring, FPM	V70338	9639161403
102 •	2	Rotorcase O-ring, Silicone		
	2	Shaft O-ring, NBR	N70144	9639162401
	2	Shaft O-ring, EPDM	E70144	9639162402
	2	Shaft O-ring, FPM	V70144	9639162403
103 •	2	Shaft O-ring, Silicone	S75144	9639162404
	2	Sleeve SS	220098000	9639163401
	2	Sleeve Zirconia	220098004	9639163402
	2	Chrome Oxide Coated SS Sleeve	220098002	9639163403
Double O-ring Seal:				
111 ▲	4	Rotorcase O-ring, NBR	N70338	9639161401
	4	Rotorcase O-ring, EPDM	E70338	9639161402
	4	Rotorcase O-ring, FPM	V70338	9639161403
112 ▲	4	Rotorcase O-ring, Silicone		
	2	Shaft O-ring, NBR	N70144	9639162401
	2	Shaft O-ring, EPDM	E70144	9639162402
	2	Shaft O-ring, FPM	V70144	9639162403
113 ▲	2	Shaft O-ring, Silicone	S75144	9639162404
	2	Sleeve SS	220098000	9639163401
	2	Sleeve Zirconia	220098004	9639163402
	2	Chrome Oxide Coated SS Sleeve	220098002	9639163403
114 ▲	2	O-ring Seal Carrier	220034001	9639164401
	2	O-ring Seal Carrier (previous version)	220034000	9639164402
115 ▲	2	Outer Seal O-ring, NBR	N50344	9639165401
	2	Outer Seal O-ring, EPDM	E50344	9639165402
	2	Outer Seal O-ring, FPM	V50344	9639165403
Single Mechanical Seal:				
121 ✧	2	Rotorcase O-ring, NBR	N70338	9639161401
	2	Rotorcase O-ring, EPDM	E70338	9639161402
	2	Rotorcase O-ring, FPM	V70338	9639161403
122 ✧	2	Rotorcase O-ring, Silicone		
	2	Shaft O-ring, NBR	N70144	9639162401
	2	Shaft O-ring, EPDM	E70144	9639162402
	2	Shaft O-ring, FPM	V70144	9639162403
123 ✧	2	Shaft O-ring, Silicone	S75144	9639162404
	2	Seal Seat Ceramic	220014002	9639167402
	2	Seal Seat Silicone Carbide	220014009	9639167403
124 ✧	2	Seal Seat Chrome Oxide		
	2	Seal Inner Carbon	220306007	9639168401
	2	Seal Inner Ceramic	40830	9639168402
	2	Seal Inner Silicone Carbide	220306009	9639168403
125 ✧	2	Seal Inner Chrome Oxide	220306002	9639168404
	2	Wave Spring	220304000	9639169401
Double Mechanical Seal:				
131 □	2	Rotorcase O-ring, NBR	N70338	9639161401
	2	Rotorcase O-ring, EPDM	E70338	9639161402
	2	Rotorcase O-ring, FPM	V70338	9639161403
132 □	2	Rotorcase O-ring, Silicone		
	2	Shaft O-ring, NBR	N70144	9639162401
	2	Shaft O-ring, EPDM	E70144	9639162402
	2	Shaft O-ring, FPM	V70144	9639162403
133 □	2	Shaft O-ring, Silicone	S75144	9639162404
	2	Seal Seat Ceramic	220014002	9639167402
	2	Seal Seat Silicone Carbide	220014009	9639167403
134 □	2	Seal Seat Chrome Oxide		
	2	Seal Inner Carbon	220306007	9639168401
	2	Seal Inner Ceramic	40830	9639168402
	2	Seal Inner Silicone Carbide	220306009	9639168403
135 □	2	Seal Inner Chrome Oxide	220306002	9639168404
	2	Wave Spring	220304000	9639169401
136 □	2	Outer Seal O-ring, NBR	N50344	9639165401
	2	Outer Seal O-ring, EPDM	E50344	9639165402
	2	Outer Seal O-ring, FPM	V50344	9639165403
137 □	2	Outer Seal O-ring, Silicone		
	2	Seal Outer Carbon	220206007	9639170401
	2	Seal Outer Chrome Oxide		



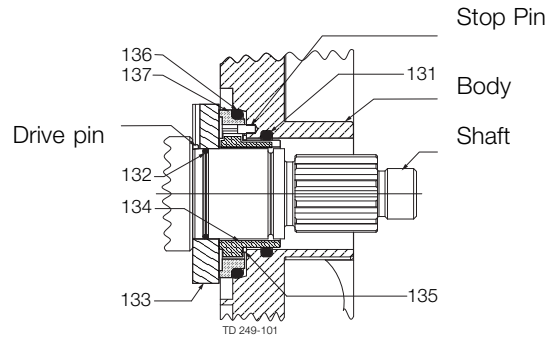
Single O-ring Seal



Double O-ring Seal

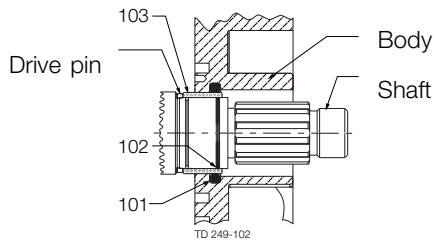


Single Mechanical Seal

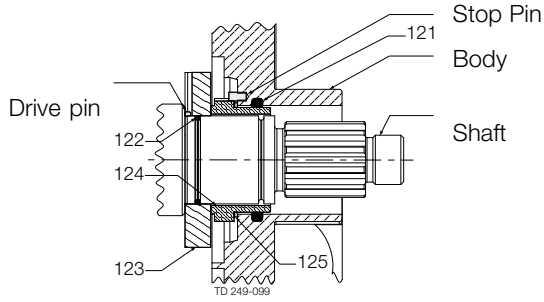


Double Mechanical Seal

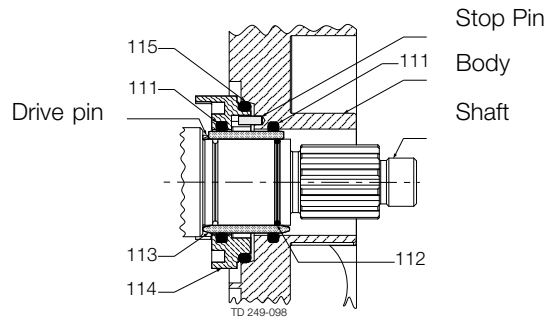
		EPDM	NBR	FPM
Service kit sealing for SCPP1/220				
□	Seal kit, Double Mechanical Seal/SC, SC/C	9639102004	9639102014	9639102009
▲	Seal kit, Double O-Ring Seal/Stainless Steel Sleeve	9639102018	9639102026	9639102022
▲	Seal kit, Double O-Ring Seal/Zircona Sleeve	9639102030	9639102038	9639102034
◇	Seal kit, Single Mechanical Seal/CER, C	9639102042	9639102050	9639102046
◇	Seal kit, Single Mechanical Seal/SC, C	9639102054	9639102064	9639102059
◇	Seal kit, Single Mechanical Seal/SC, SC	9639102068	9639102076	9639102072
●	Seal kit, Single O-Ring Seal/Stainless Steel Sleeve	9639102080	9639102088	9639102084
●	Seal kit, Single O-Ring Seal/Zircona Sleeve	9639102092	9639102100	9639102096



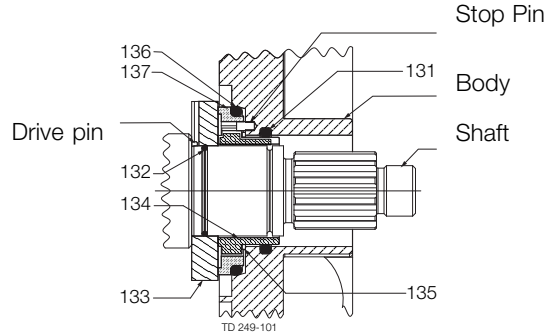
Single O-ring Seal



Single Mechanical Seal



Double O-ring Seal



Double Mechanical Seal

Pos	Qty	Denomination	Reference Part	
			No.	Item Number
Single Mechanical Seal:				
113	◇	1 Gasket, Inner	300042001	9639173501
114	◇	1 Gasket, Outer W/Flush Holes	300042002	9639174501
120	◇	1 8B2 Outer Seal, Carbon	323114003	9639167501
121	◇	1 Inner Seal O-ring, EPDM	E70234	9639166502
		1 Inner Seal O-ring, FPM	V70234	9639166503
		1 Inner Seal O-ring, Silicone	S75234	9639166504
122	◇	1 "T" Seat, No Flush, Sil Car	300014016	9639168503
123	◇	1 Gland Plug	9639175501	
Double Mechanical Seal:				
110	□	1 Inner Seal, Sil Car	40572	9639170503
112	□	1 "T" Seat, with Flush, Sil Car	300014031	9639168506
113	□	1 Gasket, Inner	300042001	9639173501
114	□	1 Gasket, Outer w/Flush Holes	300042002	9639174501
116	□	1 Inner Seal O-ring, EPDM	E70234	9639166502
		1 Inner Seal O-ring, FPM	V70234	9639166503
		1 Inner Seal O-ring, Silicone	S75234	9639166504
120	□	1 8B2 Outer Seal, Carbon	323114003	9639167501
121	□	1 Inner Seal O-ring, EPDM	E70234	9639166502
		1 Inner Seal O-ring, FPM	V70234	9639166503
		1 Inner Seal O-ring, Silicone	S75234	9639166504
			EPDM	FPM
Servie kit sealing for SCPP1/320				
□		Seal kit, Double Mechanical Seal/SC, SC/C	9639102005	9639102010
◇		Seal kit, Single Mechanical Seal/SC, C	9639102055	9639102060

How to contact Alfa Laval

Contact details for all countries are continually updated on our website.

Please visit www.alfalaval.com to access the information directly.

© Alfa Laval Corporate AB

This document and its contents is owned by Alfa Laval Corporate AB and protected by laws governing intellectual property and thereto related rights. It is the responsibility of the user of this document to comply with all applicable intellectual property laws. Without limiting any rights related to this document, no part of this document may be copied, reproduced or transmitted in any form or by any means (electronic, mechanical, photocopying, recording, or otherwise), or for any purpose, without the expressed permission of Alfa Laval Corporate AB. Alfa Laval Corporate AB will enforce its rights related to this document to the fullest extent of the law, including the seeking of criminal prosecution.